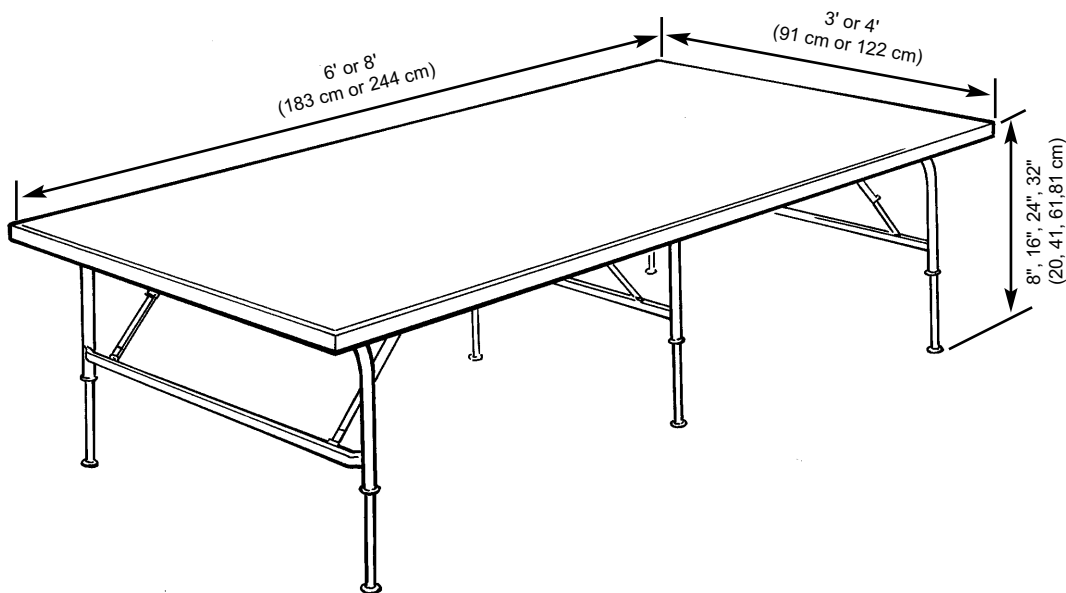


# Trouper® Platforms

- Decks are available in the following sizes:  
4' x 8' (122 x 244 cm), 4' x 6' (122 x 183 cm), 3' x 8' (91 x 244 cm),  
3' x 6' (91 x 183 cm), choral pies-3' (91 cm) depth, band/orchestra pies-4' (122 cm) depth.
- Rectangular decks are available in the following heights: 8" (20 cm) fixed height,  
16" (41 cm) fixed height, 24" (61 cm) fixed height, 32" (81 cm) fixed height,  
16"/24" (41/61 cm) dual height, 24"/32" (61/81 cm) dual height.
- Decks are available in the following surfaces:  
Black: 3/4" (19 mm) 7-ply plywood with a black slip resistant thermally fused overlay.  
Natural: 1/2" (12 mm) 5-ply plywood core with 1/8" (3 mm) hardboard faces.  
Grey carpet: 3/4" (19 mm) 7-ply plywood with 1/8" (3 mm) (approximate pile height) manufacturer's standard grey carpet.
- Legs are one-piece, 16-gauge, 1 1/4" (3 cm) tubular steel with a reinforcing cross member.  
Legs are designed to open in one motion and are automatically locked in place by a spring-loaded clip.
- Wrap around 16-gauge steel provides strength and protects the deck edge from damage.
- Frame clamps are a quick cam-type lock for positive locking to the frame of the adjacent unit.  
One clamp per side of each stage unit, which provides two clamps per side when units are locked together.
- Environmental attributes and LEED compliance for this product can be found at [www.wengercorp.com/GREEN](http://www.wengercorp.com/GREEN) or by contacting your Wenger representative.
- Five year warranty.



**Accessories**

*Transport Carts*

- Three-, six-, eight-, and 12-unit storage/transport carts are available.
- Twelve unit cart suggested when storing/transporting non-rectangular units.
- Three-, six-, and twelve-unit carts fit through a 36" (91 cm) door; eight-unit cart requires a double door.

*Stairways*

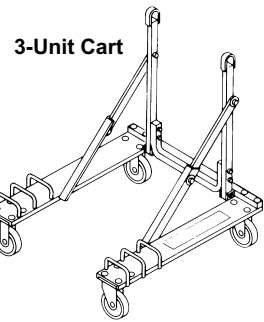
- 2-step 113B016 68 lbs (31 kg)/3-step 113B026 88 lbs (40 kg).
- Stairways include permanently attached handrails for safety and non-slip safety treads.
- Steps measure 39" (99 cm) long x 11" (28 cm) wide.

*Rails*

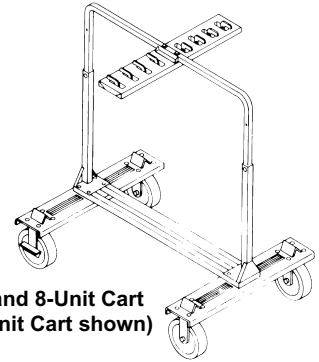
- Guardrails comply with many building code requirements for loading.
- Guardrails are available with either 2 cross bars or an infill panel that complies with the 4" (10 cm) sphere rule that appears in many building codes. Both designs incorporate a chair stop.
- Guardrails are 42" (107 cm) high with a black powder-coat paint finish. Chair stop has a dark grey powder-coat paint finish.
- Guardrails clamp to the stage without the need for tools.
- Guardrail Cart: 011D800 91 lbs (41 kg).

*Drapery and Backdrop*

- Drapery closures are available in heights to match the staging elevations.
  - Dual height drapery is available for the dual height stages.
  - Drapery available in a wide variety of colors. 100% fire retardant woven polyester.
  - Drapery attaches with hook and loop fastening system.
  - Backdrop frame attaches to guardrails for safety.
- When installed backdrop is 8' (244 cm) above the stage.  
Available in 4' (122 cm), 6' (183 cm), and 8' (244 cm) widths.

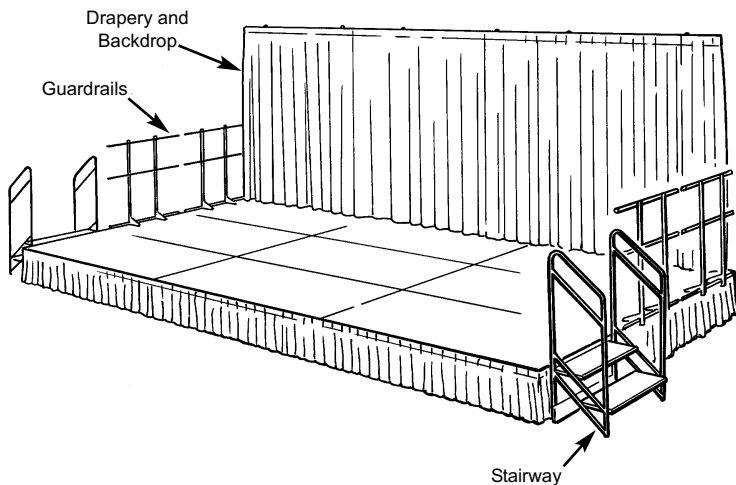


**3-Unit Cart**

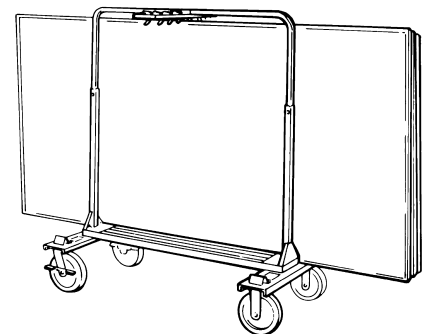


**6- and 8-Unit Cart  
(8-Unit Cart shown)**

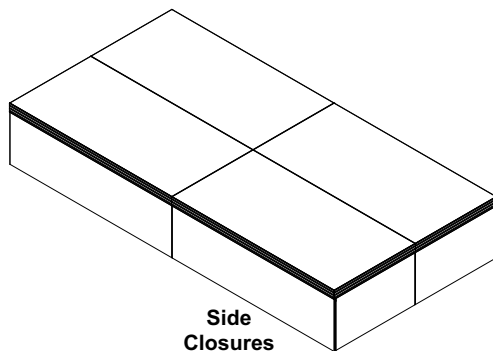
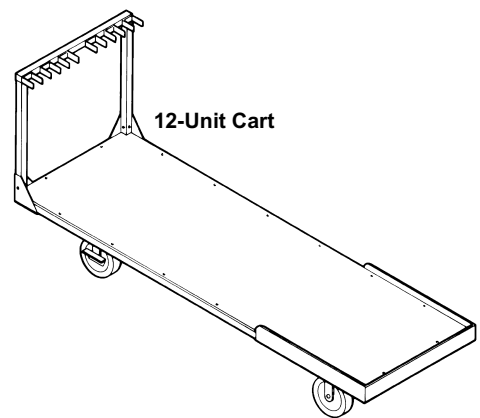
**Guardrail, Stairway, Backdrop and Drapery**



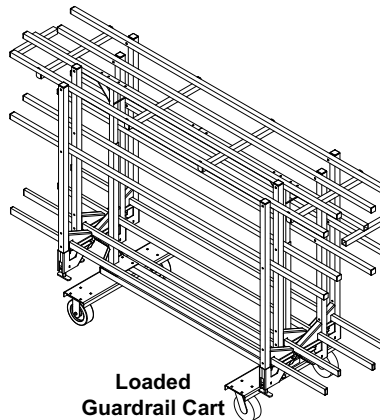
**Loaded 8-Unit Cart**



**12-Unit Cart**



**Side  
Closures**



**Loaded  
Guardrail Cart**

**WENGER CORPORATION**  
555 Park Drive, PO Box 448  
Owatonna, MN 55060-0448  
Phone 800.4WENGER (493.6437)  
Fax 507.455.4258  
Customer Service 800.887.7145

**WENGER CORPORATION**  
**CANADIAN REPRESENTATIVE OFFICE**  
Phone 800.268.0148

**WORLDWIDE**  
Phone 507.455.4100  
Fax 507.774.8576

**WEB SITE**  
wengercorp.com