

# STRATA® Orchestra Pit Filler

---

## System Description

- Removable Pit Filler system is comprised of decks, beams and columns that are pinned together for easy installation and removal.
- Decks are locked to the beam structure using a hex key tool that is included with the Pit Filler system.
- Decks are independent of each other allowing for individual decks to be removed for easy access to or from the pit area when the pit filler is installed.
- Multiple deck surface finishes available.
- Acoustically dampened honeycomb core decks.
- Aluminum extruded frame and column structures.
- Decks are custom cut on-site at the time of the installation to match the existing pit opening.
- Five-year warranty.
- Environmental attributes and LEED compliance for this product can be found at [www.wengercorp.com/GREEN](http://www.wengercorp.com/GREEN) or by contacting your Wenger representative.

## Design Requirements

- Maximum available deck height is 120" (304 cm).
- Decks can be repositioned at different elevations (e.g. stage, audience, pit floor storage, etc) by using different length columns.
- Columns have 4" +/- of leveling capability when used from 17" to 120" elevations.
- Storage carts are available to store the entire system.
- Deck corners are glass-filled nylon to eliminate sharp edges.

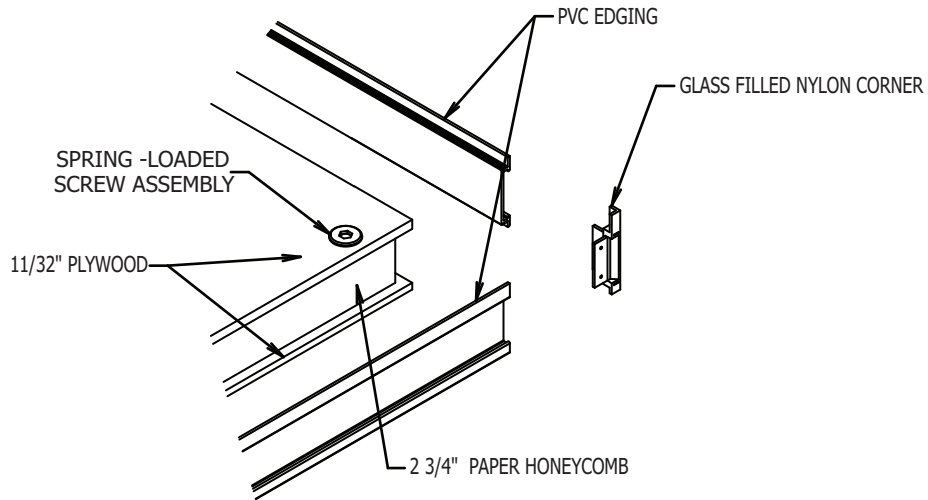
## Performance Requirements

- Basic system meets a vertical live load of 125 psf (610 kgs/per sq meter).
- System meets building code standards of L/360 for a 72" long deck span.
- A point load of 500 lb. (227 kg) on a 2" diameter rubber wheel will not leave a permanent deck surface marking.



**Decks**

- Standard deck construction -  $1\frac{1}{32}$ " (8.7 mm) thick plywood on both sides of a  $2\frac{3}{4}$ " thick phenolic impregnated paper honeycomb core.
- Standard surface options –  $\frac{1}{8}$ " (3.2 mm) thick hardboard or  $\frac{5}{8}$ " (15.9 mm) thick pre-engineered tongue and grooved flooring.
- Standard finish options – unfinished hardboard, painted hardboard, unfinished tongue and groove flooring.
- Glass-filled nylon corners - available in tan, brown or black.
- Extruded PVC edges - available in tan, brown or black.
- Deck attachment – integral spring-loaded screw assemblies.
- Standard deck size – 4' x 8' (1.2 x 2.4 m) or less with custom shapes available as required.



## Framing Components

### Main Support Beam

- Manufactured out of extruded aluminum.
- Beams run in up-stage/down-stage direction when installed in the orchestra pit.
- Beams incorporate dual fastener tracks to accommodate spring-loaded screws integrated into the decks.

### Diagonal Brace

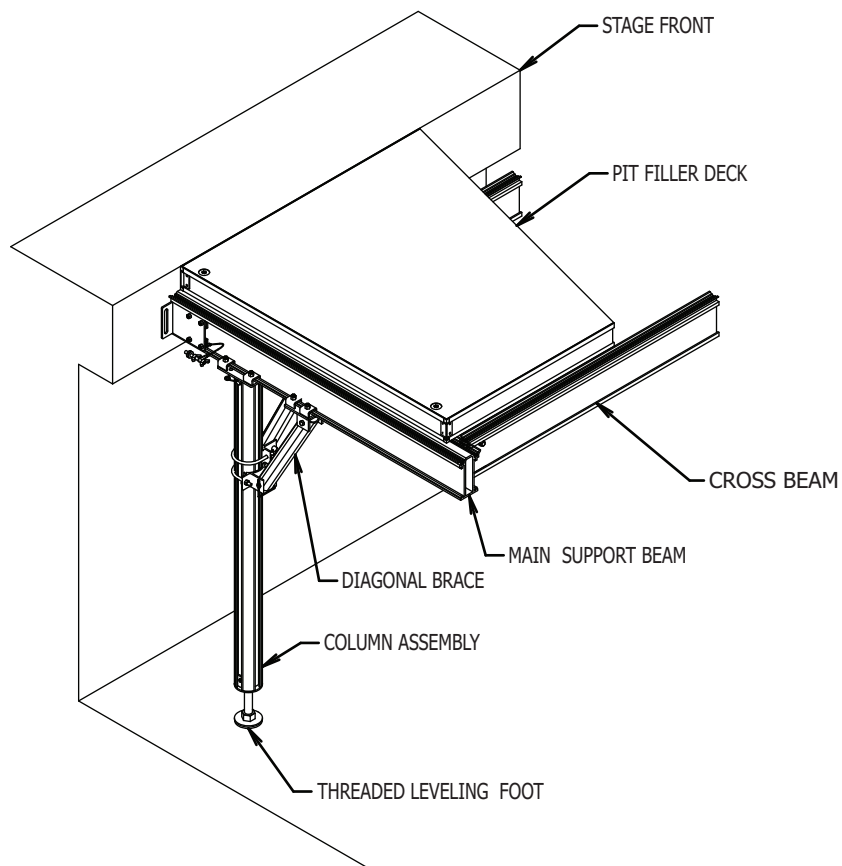
- Manufactured out of extruded aluminum.
- Serves as a brace between the main beam and the column.
- All attachments are pin connectors.

### Cross Beam

- Manufactured out of extruded aluminum.
- Pin and socket connection to main support beam.

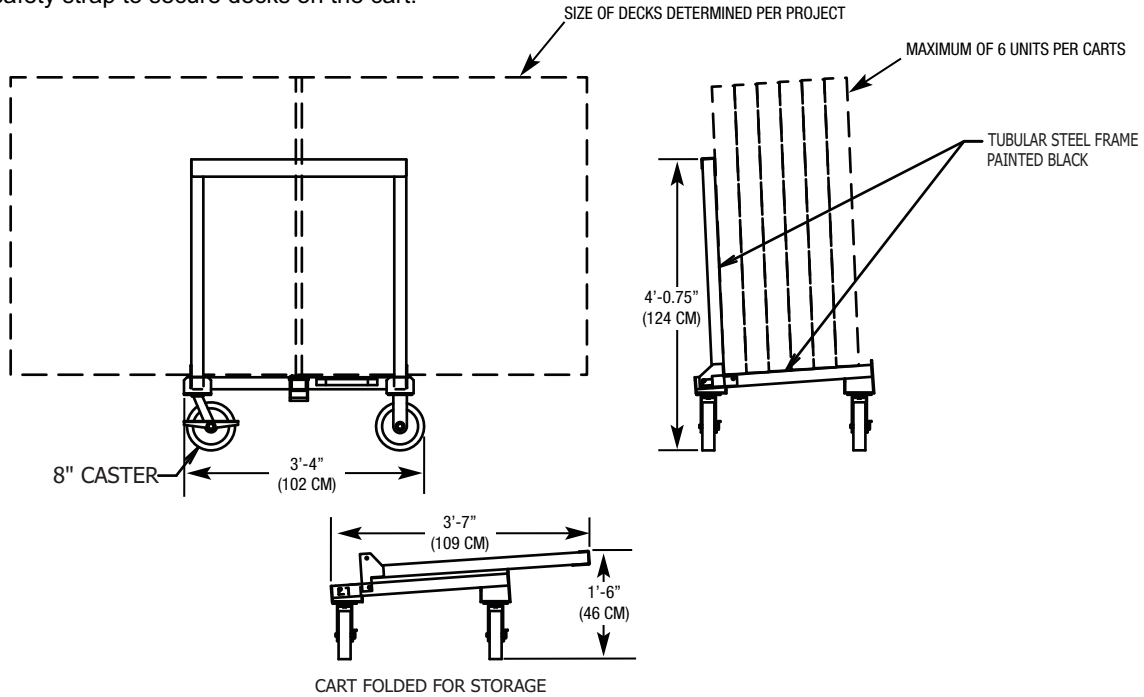
### Column Assembly

- Manufactured out of extruded aluminum.
- All attachments are pin connectors.
- Threaded leveling foot with total adjustment of 4" (101 mm), plus or minus.



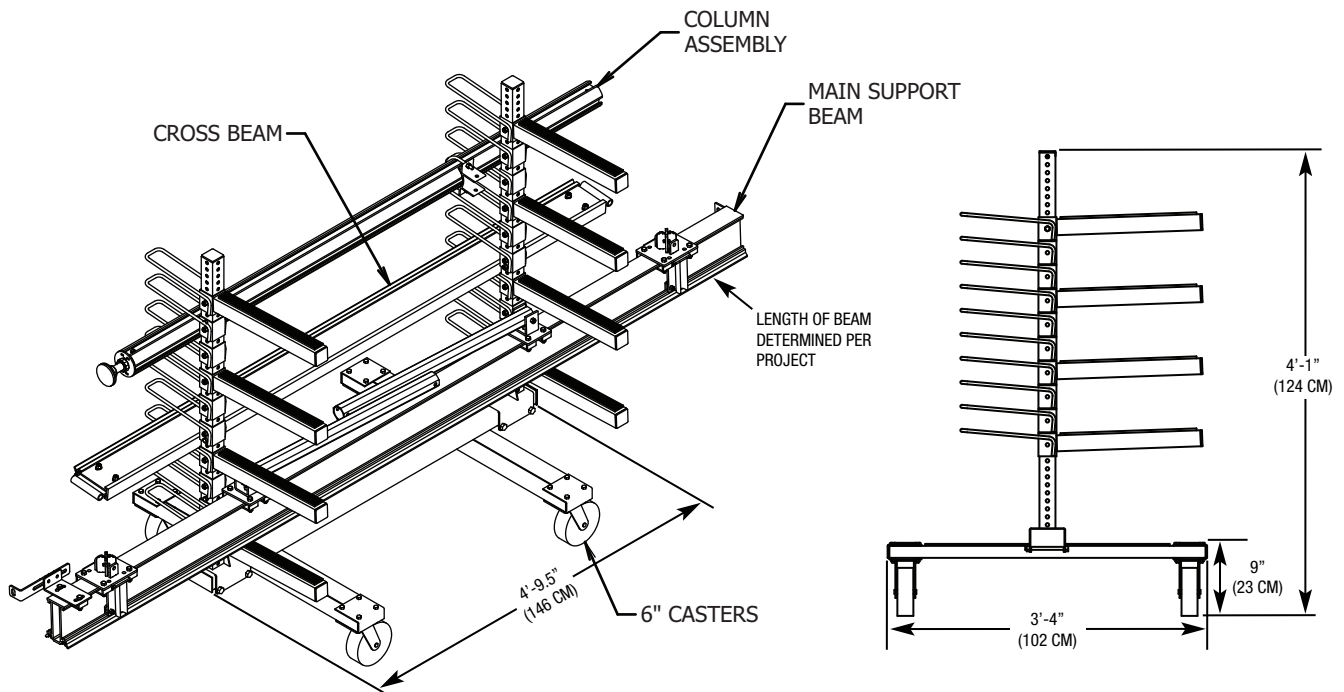
### Deck Storage Cart

- Cart is constructed of steel tubing and formed steel components.
- Cart has two rigid and two swivel casters with 8" (20 cm) wheels.
- Carts have a black powder coat paint finish.
- Carts have a safety strap to secure decks on the cart.



### Main Beam/Column/Cross Beam Storage Cart

- Cart is constructed of steel tubing and formed steel components.
- Cart has two swivel casters and two fixed casters with 6" (15 cm) wheels.
- Carts have a black powder coat paint finish.



**WENGER CORPORATION**  
 555 Park Drive, PO Box 448  
 Owatonna, MN 55060-0448  
 Phone 800.4WENGER (493.6437)  
 Fax 507.455.4258  
 Customer Service 800.887.7145

**WENGER CORPORATION**  
**CANADIAN REPRESENTATIVE OFFICE**  
 Phone 800.268.0148

**WORLDWIDE**  
 Phone 507.455.4100  
 Fax 507.774.8576

**WEB SITE**  
[wengercorp.com](http://wengercorp.com)