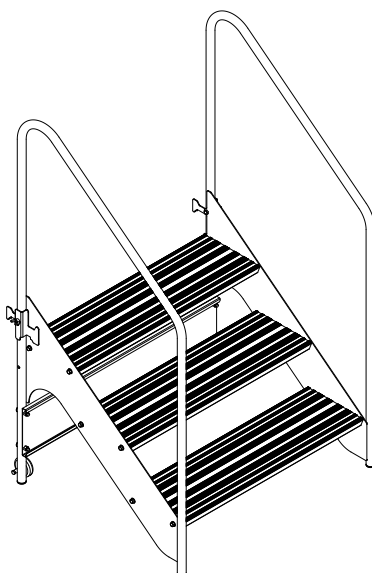
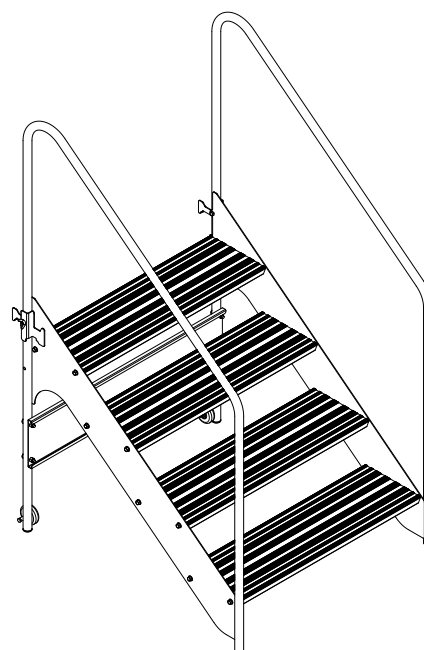


2-Step Fixed Stairway



3-Step Fixed Stairway



4-Step Fixed Stairway

CONTENTS

Important User Information	2	Required Tools	3
General	2	Fasteners	3
Manufacturer	2	Parts List 2-Step Model	3
Intended Use	2	Parts List 3-Step, 4-Step Models	4
Warranty	2	Assembly	5
		Installation	8

Note: Please read and understand these instructions before assembling the parts.

Note: Remove all items from the shipping cartons and arrange them in a convenient location. Refer to the illustrations on the following pages. If you need additional information, contact the Wenger Corporation using the information below.

Note: These Fixed Stairways may be used with a variety of platform systems, contact the Wenger Corporation to verify compatibility.

IMPORTANT USER INFORMATION

GENERAL

Copyright © 2012 by Wenger Corporation

All rights reserved. No part of the contents of this manual may be reproduced, copied, or transmitted in any form or by any means including graphic, electronic, or mechanical methods or photocopying, recording, or information storage and retrieval systems without the written permission of the publisher, unless it is for the purchaser's personal use.

Printed and bound in the United States of America.

The information in this manual is subject to change without notice and does not represent a commitment on the part of Wenger Corporation. Wenger Corporation does not assume any responsibility for any errors that may appear in this manual.

In no event will Wenger Corporation be liable for technical or editorial omissions made herein, nor for direct, indirect, special, incidental, or consequential damages resulting from the use or defect of this manual.

The information in this document is not intended to cover all possible conditions and situations that might occur. The end user must exercise caution and common sense when assembling or installing Wenger Corporation products. If any questions or problems arise, call Wenger Corporation at 1-800-733-0393.

MANUFACTURER

The Fixed Stairway is manufactured by:

Wenger Corporation
555 Park Drive
Owatonna, MN 55060
1-800-4WENGER (493-6437) • 1-507-455-4100
www.wengercorp.com

INTENDED USE

- This product is intended for indoor use in normal ambient temperature and humidity conditions — it must not be exposed to prolonged outside weather conditions.
- This product is intended to be assembled only as described in these instructions.

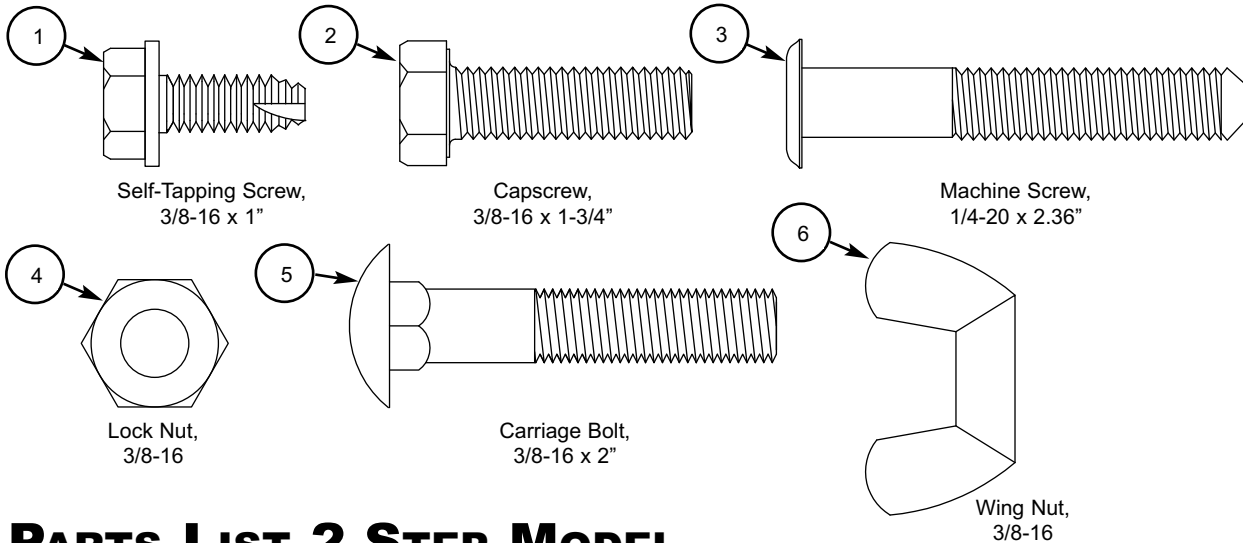
WARRANTY

This product is guaranteed free of defects in materials and workmanship for five full years from date of shipment. A full warranty statement is available upon request.

REQUIRED TOOLS

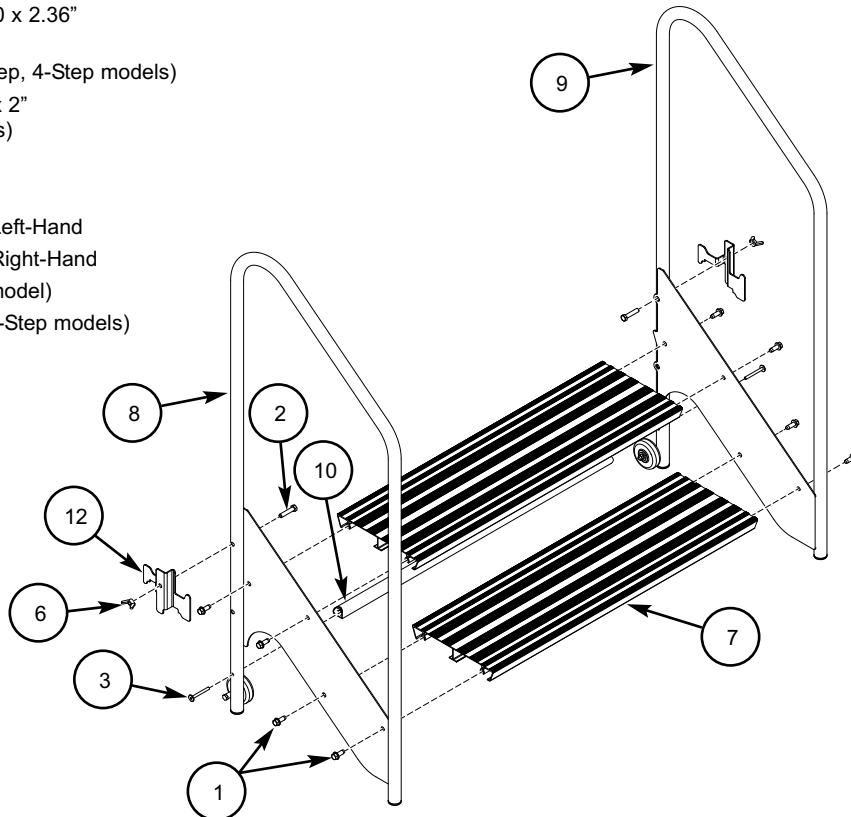
- 1/2" and 3/8" Socket Wrenches or Open End/Box End Wrenches
- 5/32" Allen Wrench (included in Hardware Pack)

FASTENERS



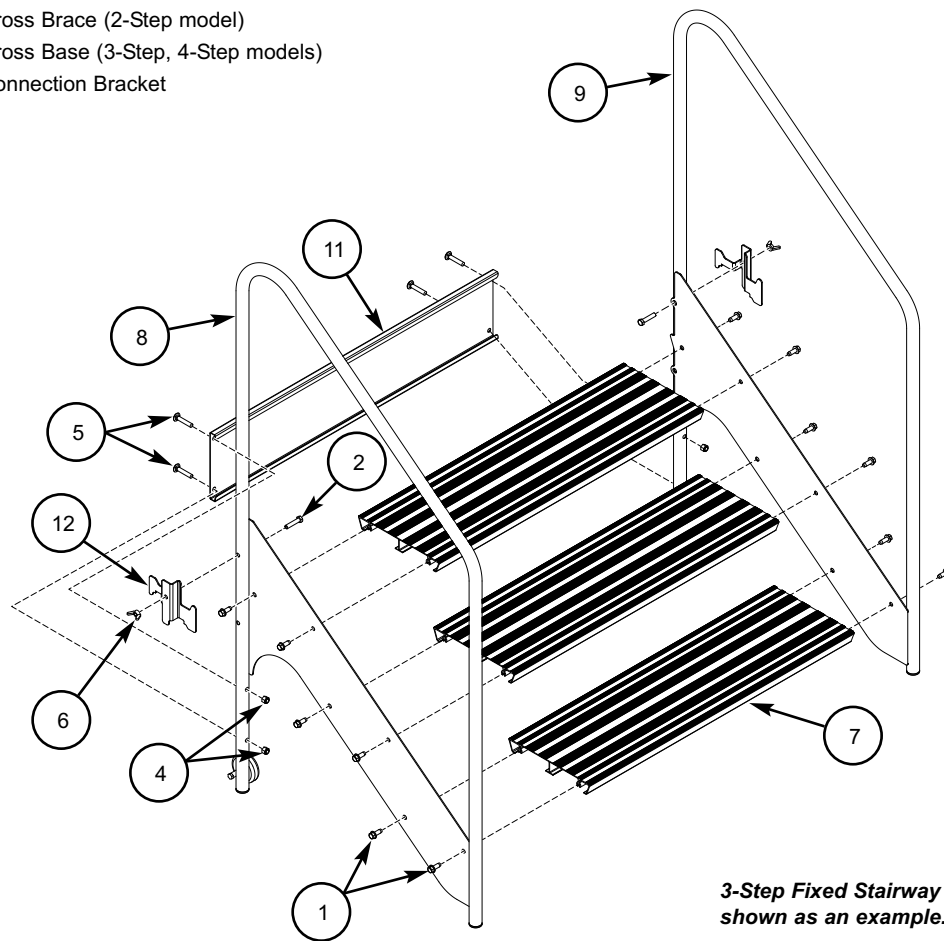
PARTS LIST 2-STEP MODEL

Item	Qty	Description
1	8	Self-Tapping Screw, 3/8-16 x 1"
2	2	Capscrew, 3/8-16 x 1-3/4"
3	2	Machine Screw, 1/4-20 x 2.36" (2-Step model)
4	0	Lock Nut, 3/8-16 (3-Step, 4-Step models)
5	0	Carriage Bolt, 3/8-16 x 2" (3-Step, 4-Step models)
6	2	Wing Nut, 3/8-16
7	2	Step Assembly
8	1	Hand Rail Assembly, Left-Hand
9	1	Hand Rail Assembly, Right-Hand
10	1	Cross Brace (2-Step model)
11	0	Cross Base (3-Step, 4-Step models)
12	2	Connection Bracket



PARTS LIST 3-STEP, 4-STEP MODELS

Item	Qty		Description
	3-Step	4-Step	
1	12	16	Self-Tapping Screw, 3/8-16 x 1"
2	2	2	Capscrew, 3/8-16 x 1-3/4"
3	0	0	Machine Screw, 1/4-20 x 2.36" (2-Step model)
4	4	4	Lock Nut, 3/8-16 (3-Step, 4-Step models)
5	4	4	Carriage Bolt, 3/8-16 x 2" (3-Step, 4-Step models)
6	2	2	Wing Nut, 3/8-16
7	3	4	Step Assembly
8	1	1	Hand Rail Assembly, Left-Hand
9	1	1	Hand Rail Assembly, Right-Hand
10	0	0	Cross Brace (2-Step model)
11	1	1	Cross Base (3-Step, 4-Step models)
12	2	2	Connection Bracket

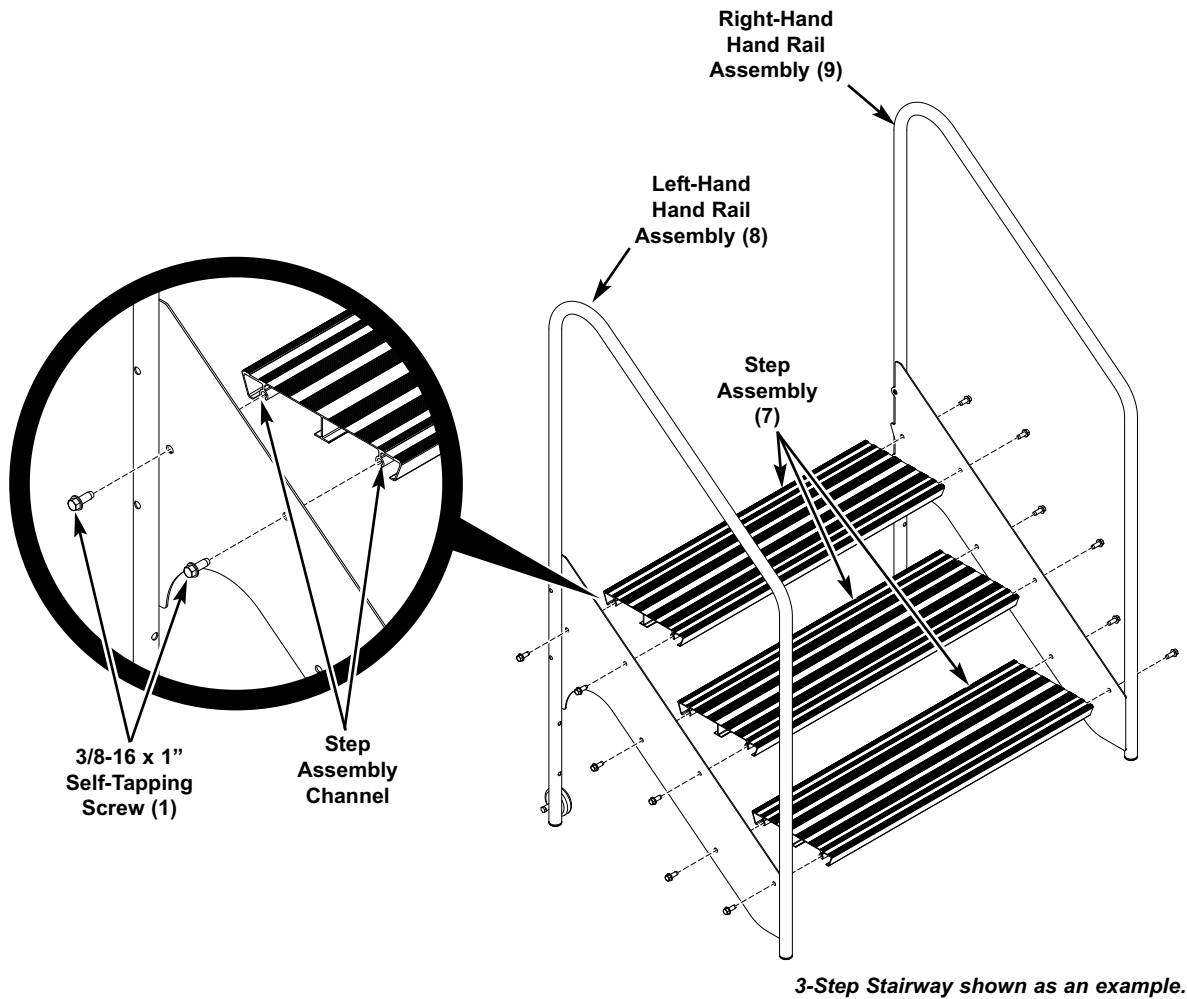


3-Step Fixed Stairway is shown as an example.

ASSEMBLY

1. Attach the Step Assemblies (7) to the Left-Hand (8) and Right-Hand (9) Hand Rail Assemblies using two 3/8-16 x 1" Self-Tapping Screws (1) on each side as shown.

Screw the Self-Tapping Screws through the pre-drilled holes in the Hand Rail Assembly and into the Channels on the underside of the Step Assembly.



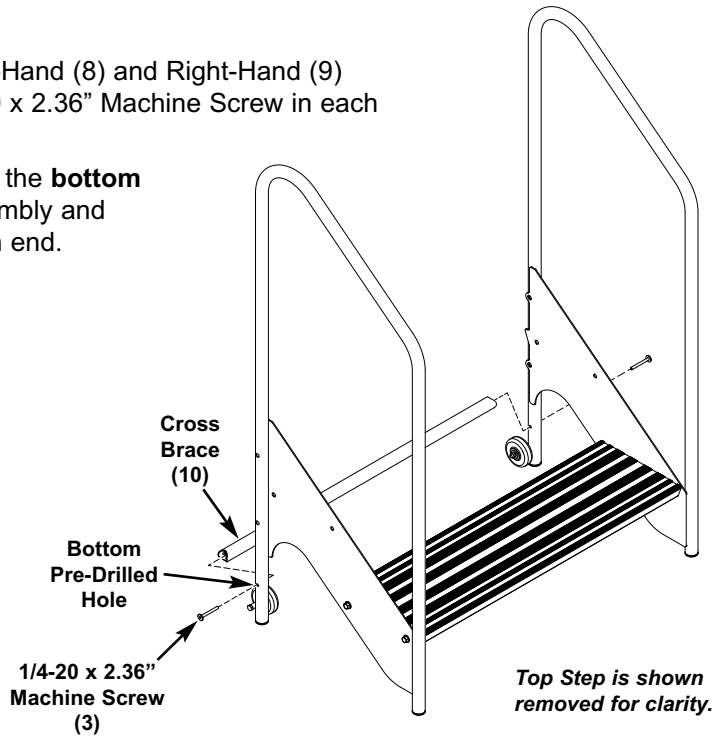
ASSEMBLY (CONTINUED)

2. Attach the Cross Brace (10) or Cross Base (11) depending on model to the Hand Rail Assemblies.

2-STEP MODEL

Attach the Cross Brace (10) to the Left-Hand (8) and Right-Hand (9) Hand Rail Assemblies using one 1/4-20 x 2.36" Machine Screw in each side as shown.

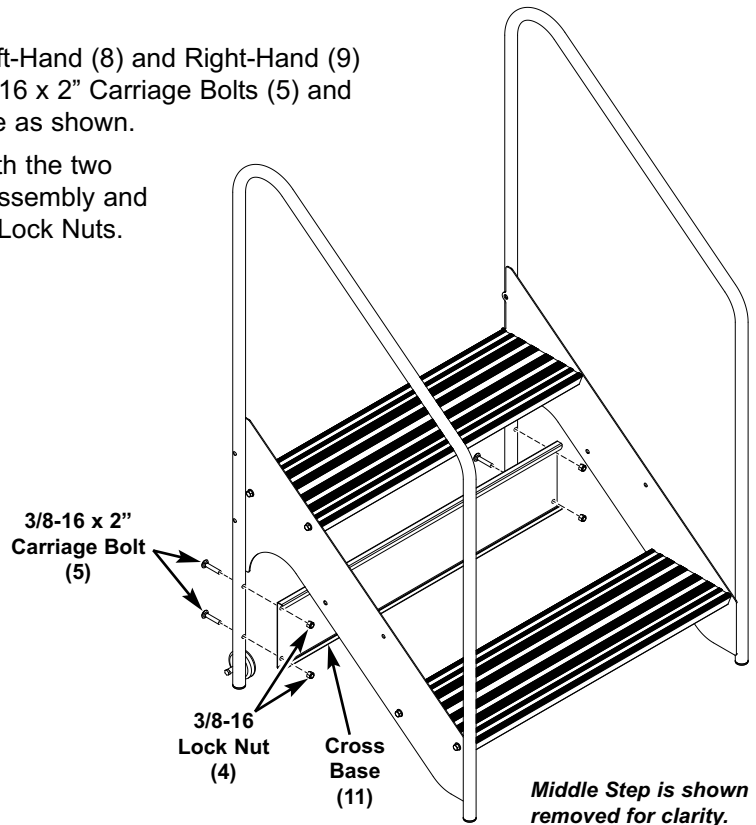
Align each end of the Cross Brace with the **bottom** pre-drilled hole in each Hand Rail Assembly and secure using a Machine Screw on each end.



3-STEP AND 4-STEP MODELS

Attach the Cross Base (11) to the Left-Hand (8) and Right-Hand (9) Hand Rail Assemblies using two 3/8-16 x 2" Carriage Bolts (5) and two 3/8-16 Lock Nuts (4) in each side as shown.

Align each end of the Cross Base with the two pre-drilled holes in each Hand Rail Assembly and secure using the Carriage Bolts and Lock Nuts.



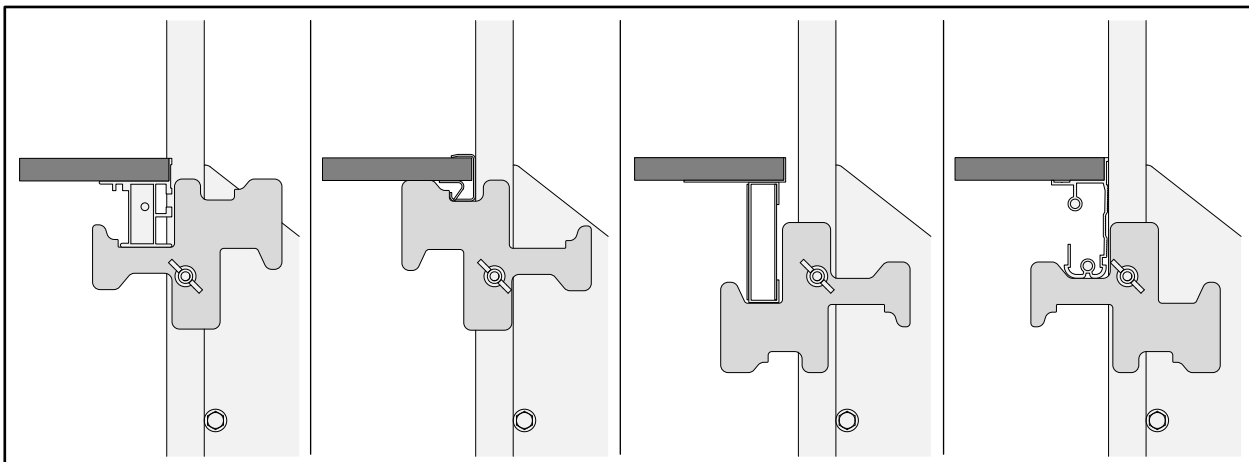
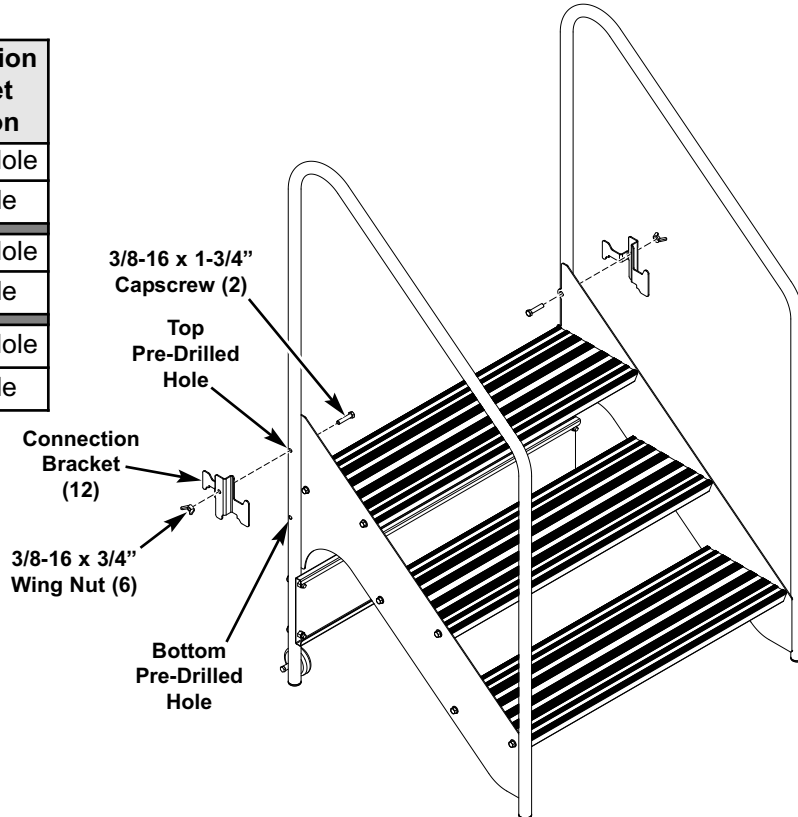
ASSEMBLY (CONTINUED)

- Attach one Connection Bracket (12) to both the Left-Hand Rail Assembly (8) and the Right-Hand Rail Assembly (9) using one 3/8-16 x 1-3/4" Capscrew (2) and one 3/8-16 Wing Nut (6) in each as shown.

Orient the Connection Bracket according to the type of Stage being used as referenced below.

Depending on the Fixed Stairway model and Stage Deck elevation, align the pre-drilled hole in each Connection Bracket with either the **top or bottom** pre-drilled hole in each Hand Rail Assembly according to the chart below and secure using the Capscrew and Wing Nut.

Fixed Stairway Model	Stage Deck Elevation	Connection Bracket Location
2-Step	16"	Bottom Hole
	24"	Top Hole
3-Step	24"	Bottom Hole
	32"	Top Hole
4-Step	32"	Bottom Hole
	40"	Top Hole



Versalite®
Connection Bracket
Orientation

Trouper®
Connection Bracket
Orientation

Showmaster®
Connection Bracket
Orientation

StageTek™
Connection Bracket
Orientation

INSTALLATION

1. Slightly tilt the Fixed Stairway forward and slide it under the stage so the Connection Brackets will engage with the edge of the stage deck as shown on the previous page.
2. Tilt the Fixed Stairway back to the ground to grip the stage deck.

