



Owner's Manual
Trouper™ and Stagehand™
Platform Systems

TROUPER PLATFORM SYSTEMS

Safety Precautions	3
Warranty	4
Introduction	5
Unpacking or Setting Up for the First Time	5
Setting Up Individual Platform Units	6
Same-Height Platform Systems	
Connecting Same-Height Platforms	8
Installing Guard Rails	9
Installing Drapery Enclosures	10
Installing the Stairway(s)	11
Installing a Backdrop	12
Riser Platform Systems	
Typical Riser Layouts	13
Connecting Riser Sections	14
Installing Chair Stops	17
Installing Closure Panels	17
Installing Guard Rails	19
Disassembling the Platform System	20
Loading the Storage Carts	21
Maintenance	22
Replacement Parts List	22

STAGEHAND PLATFORM SYSTEMS

Safety Precautions	33
Warranty	34
Introduction	35
Unpacking or Setting Up for the First Time	35
Setting Up Individual Platform Units	36
Connecting Same-Height Platforms	37
Installing Guard Rails	38
Installing Drapery Enclosures	39
Installing the Stairway(s)	40
Installing a Backdrop	41
Disassembling the Platform System	42
Transporting and Storing Platform Units	43
Maintenance	44
Replacement Parts List	44

This publication includes complete Owner's Manuals for both the Trouper and Stagehand Platform Systems.

Please take a few minutes to read the appropriate sections and to familiarize yourself with Trouper or Stagehand's operating features. If you should need additional information, just write or call.

Trouper Platform Systems

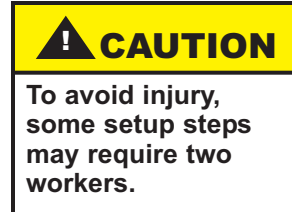
SAFETY PRECAUTIONS

Throughout this manual, you will find **CAUTIONS** and **WARNINGS**:

- **WARNING** means that if safety information is not followed someone could be seriously injured or killed.
- **CAUTION** means that if safety information is not followed the platform could be damaged or personal injury could result.

SETUP

Insist that anyone who assists with the set up of the Trouper Platform System be familiar with this manual.



GUARD RAILS

The guard rails are indicators of the perimeter of the platform system, and are not intended as a universal restraint. Excess weight or pressure will cause them to collapse.

Never use the rails:

- As a crowd barrier
- As a perch
- As a tie-down.



PLATFORM STABILITY

All platform units must be locked together using the unit-to-unit clamps beneath the stage surface. These clamps are designed for use only with one-level stage sets. Do not set up a multilevel stage using Trouper units unless adequate special clamping is provided to secure the levels together. See “Connecting Riser Sections” on page 14.

Trouper platforms are designed for level surfaces only and contain no provision for adjusting leg heights.



TRANSPORT/STORAGE CARTS

Never stack more than **three** platforms on a 3-Unit Cart, **six** platforms on an 6-Unit Cart, **eight** platforms on an 8-Unit Cart, or **twelve** platforms on a 12-Unit Cart.

Before moving or storing platforms on 6- or 8-Unit Carts, **always** secure the units using the unit lock assembly at the top of the cart. On a 12-Unit Cart, secure the units by slipping them into the guides on the upright handle assembly. See “Loading the Storage Carts” on page 21 for more information.



WARRANTY

Wenger Trouper Platform Systems are guaranteed free of defects in materials and workmanship for five full years.

Our guarantee assures you of either a full refund or repair or replacement of the defective materials or workmanship without charge, at the discretion of our Customer Service Department. Just call a Customer Service Representative at 1-800-733-0393 and state the reason you are dissatisfied. If a product return is necessary, your Representative will issue a return authorization. This is your sole remedy for breach of this warranty.

Should you have a question or problem with any Wenger product, don't hesitate to call, even if the product is past warranty. It's important to us that all our customers be satisfied.

This is the sole warranty made by Wenger. Wenger disclaims all other warranties, including the warranties of merchantability and fitness for a particular purpose, as well as all liability for incidental, consequential, special, and indirect damage. Wenger liability for direct damages shall be limited to the amount you paid for the product involved. Wenger reserves the right to make product changes without obligation to incorporate such changes into products previously sold.

Some states do not allow the exclusion or limitation of damages or warranties, so the above may not apply to you. This warranty gives you specific legal rights. You may also have other rights which vary from state to state.

INTRODUCTION

Trouper platform units are available in four sizes (4' x 8', 3' x 8', 4' x 6', and 3' x 6') and in four fixed elevations (8", 16", 24", and 32"), as well as two dual-height options (16/24" and 24/32"). Platform systems can be constructed with units that are all the same height (standard stage), or with units at different heights (risers, or multi-level stage).

Do not set up a multilevel stage using Trouper units unless adequate special clamping is provided to secure the levels together. See "Connecting Riser Sections" on page 14.



For efficient moving and storing of the platform units, several sizes of Wenger move-and-store carts are available. See "Loading the Storage Carts" on page 21 for more information.

Easily attached 39" wide stairway units with double handrails are available in a 2-step version (for 16" or 24" stage heights) and a 3-step version (for 24" or 32" stage heights).

Guard rail assemblies should be used with all stage elevations, and are available in 3', 4', 6' and 8' lengths. The top rail on all guard rails is located 42" above the platform surface. The rail assemblies include a chair stop rail.

To give the stage or risers a more formal, finished look, the following accessories are also available from Wenger:

- drapery skirting
- drapery backdrops
- front and side closure panels.

UNPACKING OR SETTING UP FOR THE FIRST TIME

1. Remove all parts from their shipping cartons (refer to the packing list enclosed with the shipment). Save the packaging materials at least until the stage system has been set up the first time.
2. Sort all platform units and accessories by size, leg length, etc.
3. Assemble all carts and stairways that are shipped disassembled - using the instructions supplied with them.
4. If the stage or risers will be stored before being set up, see "Loading the Storage Carts" on page 21 and "Disassembling the Platform System" on page 20.

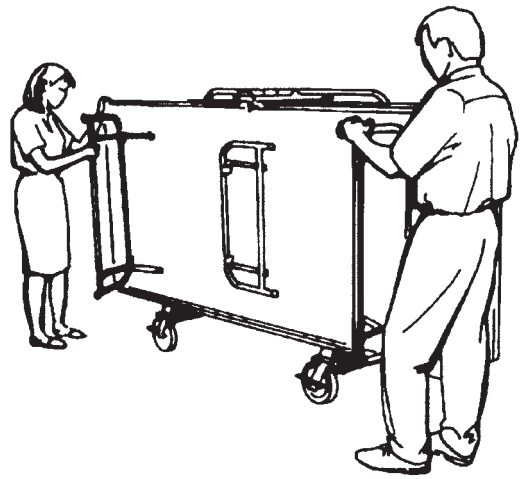
If the platform units will be set up immediately, see "Setting Up Individual Platform Units" on page 6.

IMPORTANT: Read this entire manual before starting to set up a platform system.

SETTING UP INDIVIDUAL PLATFORM UNITS

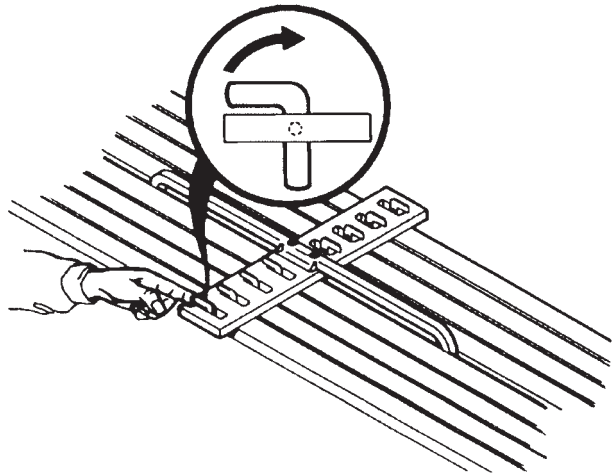
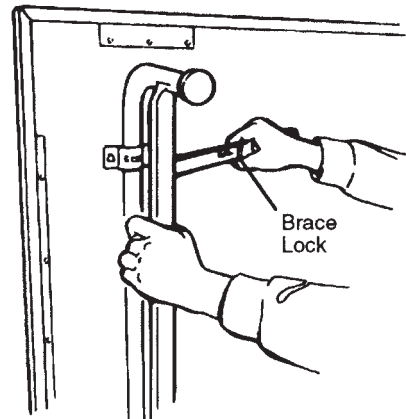
CAUTION

To avoid injury, two people should set up the platforms.

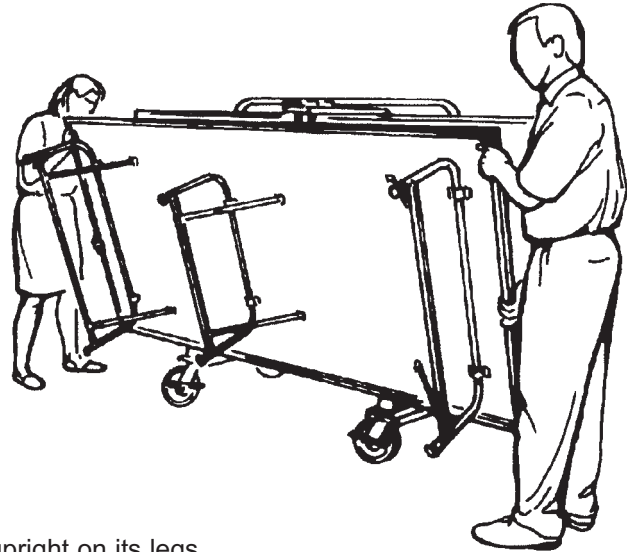


REMOVING THE PLATFORM UNITS FROM THE CART

1. Be sure the platform units are secured to the cart before moving. Position the cart near the set up area.
2. Open all legs on the outside platform unit before removing from the cart.
3. Straighten the hinged brace on each leg. If necessary, push in on the brace lock until it engages.
4. With a 6 or 8-Unit Cart, release the first platform unit by pushing the unit lock to the right.



SETTING UP INDIVIDUAL PLATFORM UNITS (CONTINUED)



5. Rotate the platform unit off the cart and set it upright on its legs.
6. Repeat steps 2 - 5 for the remaining platform units.

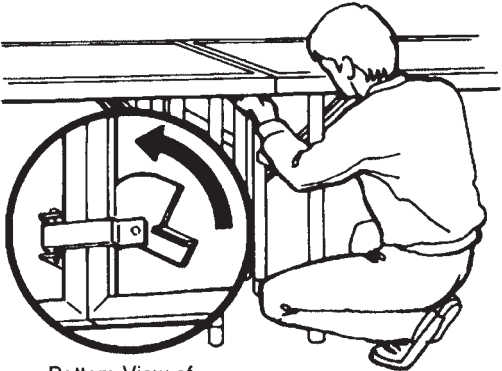
If all of the platform units being set up are same-height platforms, go to page 8.

If setting up platform units as riser systems or as a multilevel stage, go to page 13.

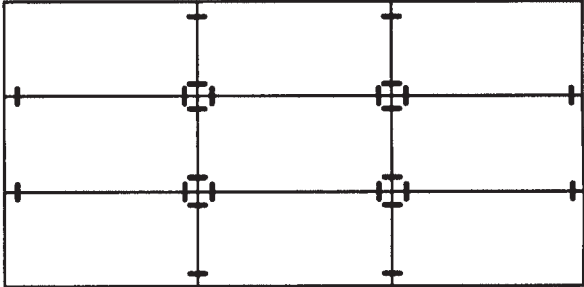
TROUPER SAME-HEIGHT PLATFORM SYSTEMS

CONNECTING SAME-HEIGHT PLATFORMS

- 1. Position the first two platform units at their desired stage location (at the **rear center** of the stage).
- 2. Attach them together in **at least two places**, using the unit-to-unit clamps beneath the platform surface.
- 3. Attach the remaining platform units together in the same way.



Bottom View of Unit-to-Unit Clamp



CAUTION: Make sure all units are locked together at the points indicated.

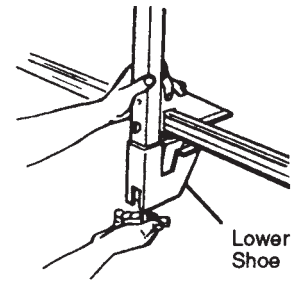
! WARNING

Platforms are unsafe if unit-to-unit clamps are not used as specified.

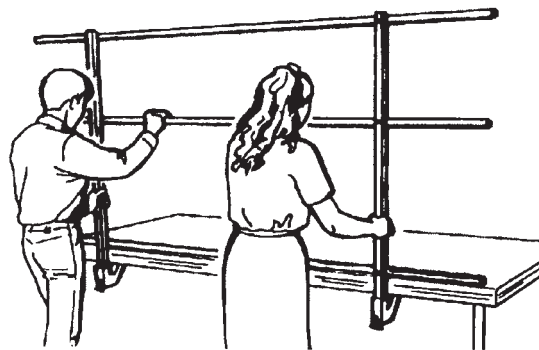
INSTALLING GUARD RAILS

To attach each guard rail assembly to the platform system:

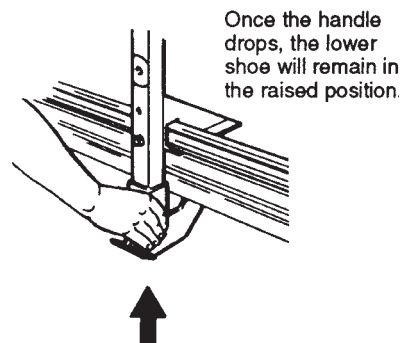
1. Unscrew the handle at the bottom of each upright, **just until** pulling the handle outward allows the lower shoe to drop. **Don't** unscrew all the way.



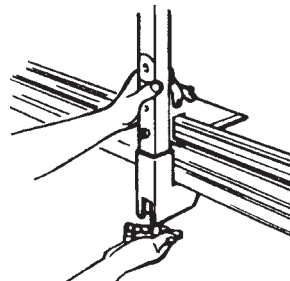
2. Set the guard rail on the platform, with the lower shoe on each upright positioned below the deck surface. Center the rail side-to-side on the platform section.



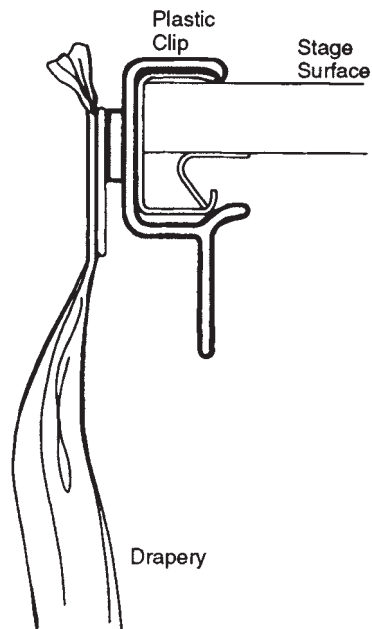
3. Lift the lower shoe on each upright until the handle drops.



4. Slide the Rail against the platform deck and turn the handle until the lower shoe is tight against the platform deck.



INSTALLING DRAPERY ENCLOSURES



Draperies are often used to close off the lower portion of the stage, for better appearance. They can be attached to the stage even where stairways or back/side rails are used.

The draperies are secured to the stage using plastic clips fitted with a hook tab that connects to a loop fastener on the drapery.

Drapery enclosures must be attached after guard rails are installed, and before stairways.

To attach the draperies:

1. Install clips along the stage perimeter wherever drapery is desired (about 12" apart).
2. Beginning at a corner of the stage, press the drapery onto the clips.
3. Continue attaching the drapery to the clips until the section is completely installed.
4. Repeat the above procedure with the remaining drapery sections.

INSTALLING THE STAIRWAY(S)

The 2-step and 3-step stairways supplied with Trouper Platform Systems can be adapted to several staging models and heights.

The hook tube assemblies that slip into guides on each side of the stairway frame have a notched plate which can be interchanged to match the framework on the bottom of the staging. The illustration shows the appropriate notched plate properly mounted for use with Trouper Platform Systems.

Each stairway model can be adjusted for two platform heights:

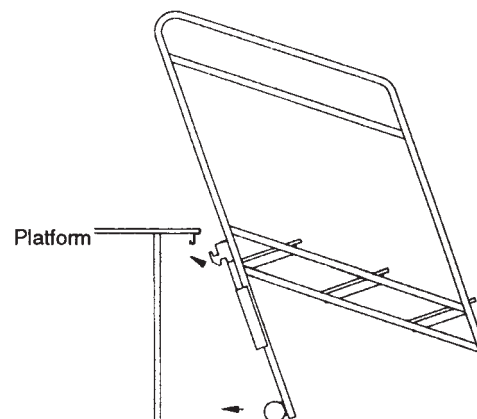
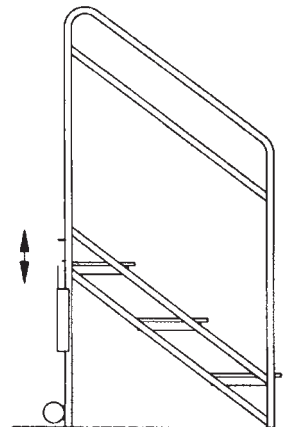
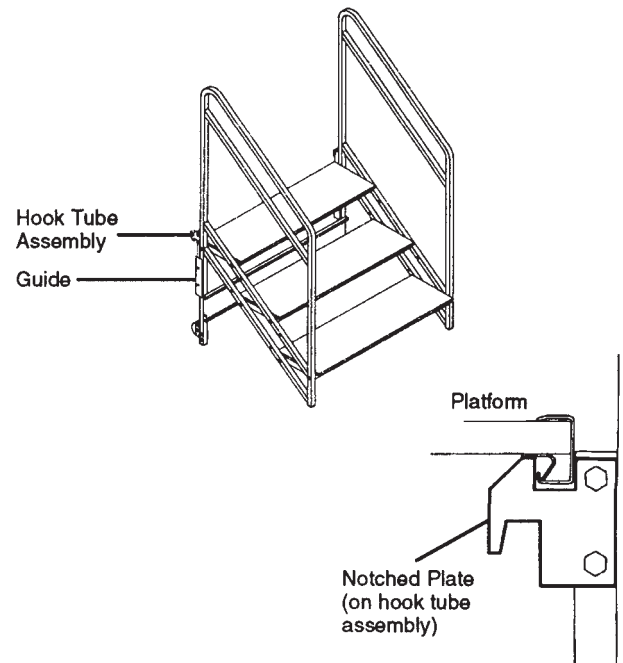
- The 2-step stairway can be adjusted for 16" or 24" platform heights
- The 3-step stairway can be adjusted for 24" or 32" platform heights.

When the snap button on the hook tube assembly is in the matching hole in the guide, the stairway can be connected to the higher platform. When the hook tube assembly is all the way down in the guide, the stairway can be connected to the lower platform.

The notched plates must be on the outside of the tubes, extending away from the stairway frame.

To attach the stairway:

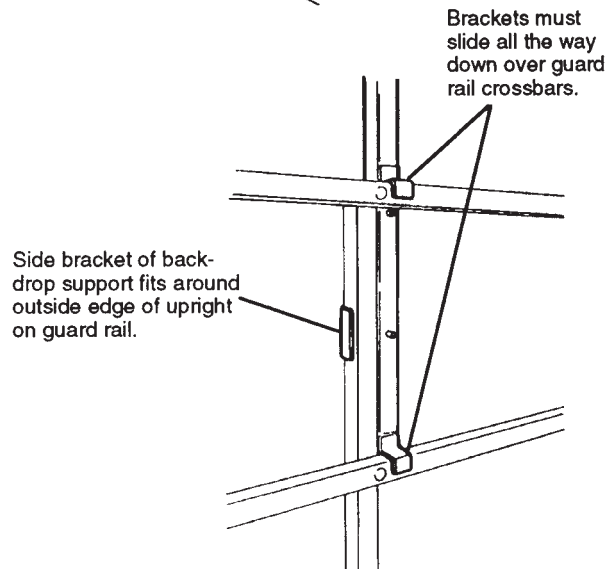
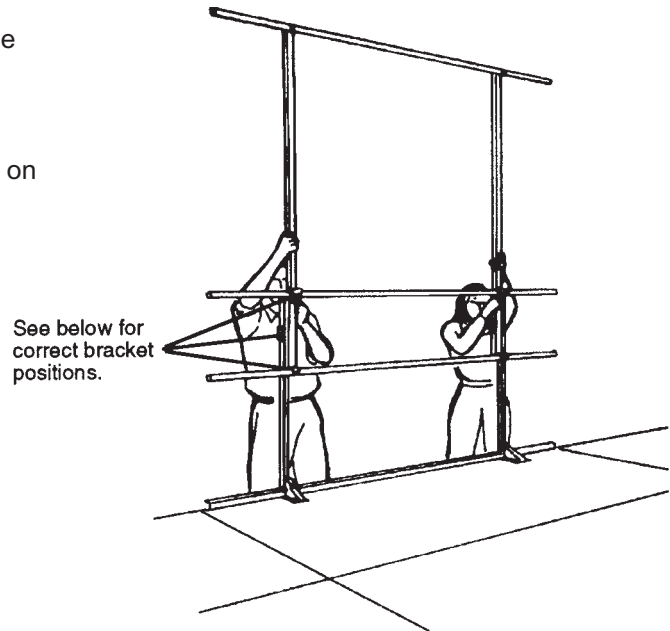
1. Be sure that the stairway has the correct hook tube assemblies (see above).
2. Adjust the hooks to the proper height for the stage.
3. Tip the stairway into place.
4. Check that the notch in the hook tube is secured to the stage framework, and that the stairway feet are flat on the floor.
5. Tuck the top edge of drapery enclosures under the lip of the stage at stairway locations.



INSTALLING A BACKDROP

NOTE: Two people are required to install the backdrop support.

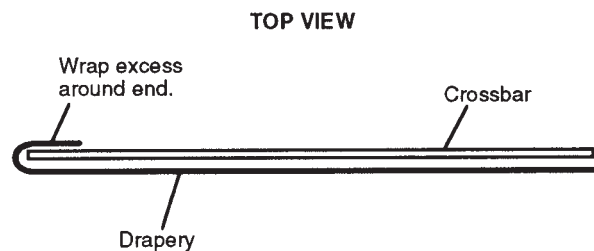
1. Unfold each backdrop support and set it on a guard rail as shown.



2. Hook-and-loop tape is attached to both surfaces so that drapery sections can be secured to the crossbar of the backdrop support.

Use a ladder to attach the drapery. Wrap any excess drapery around the end of the crossbar.

For disassembly instructions, see page 20.



TROUPER RISER PLATFORM SYSTEMS

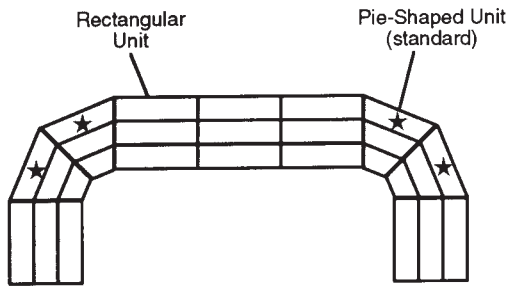
TYPICAL RISER LAYOUTS

Use rectangular and pie-shaped units as shown.

★ At the third elevation of pie-shaped locations:

-Choral risers have a single unit

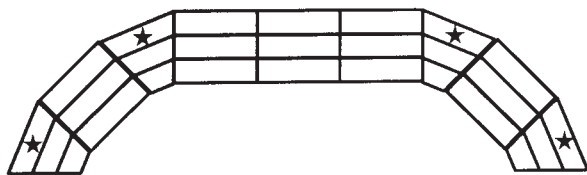
-Band risers have two units, one left-hand and one right-hand. If a fourth elevation has been supplied, both choral and band risers will have two units, one left-hand and one right-hand.



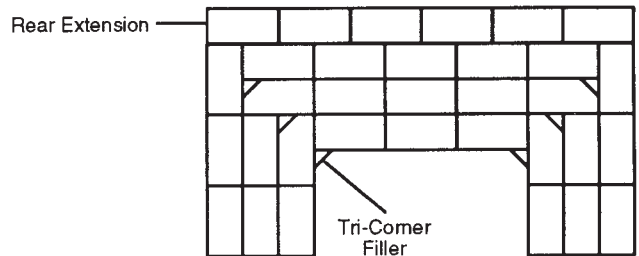
Horseshoe



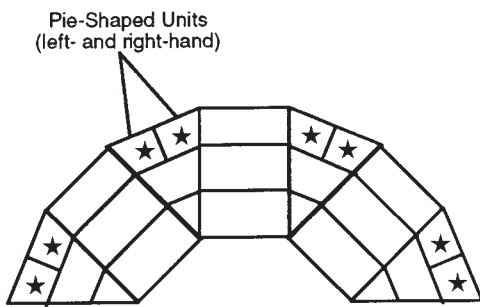
Arc



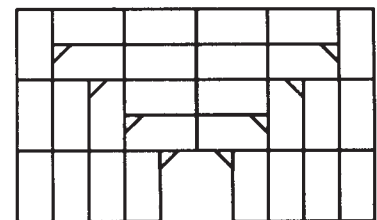
Winged



Rectangular



Semicircle

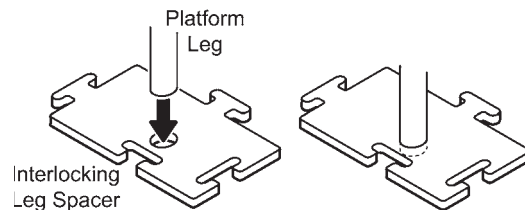
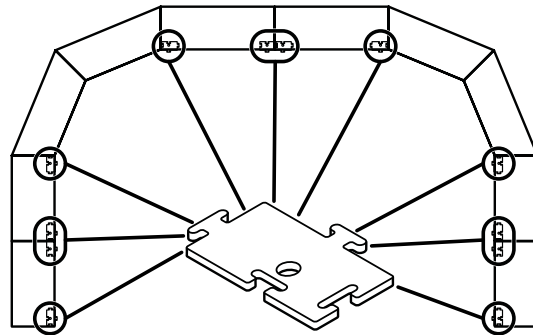


Rectangular

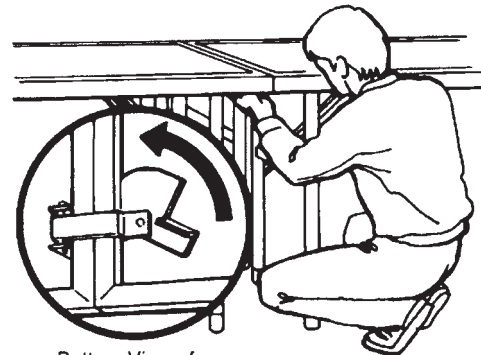
CONNECTING RISER SECTIONS

1. Set up the back row of platforms (including any rear extensions), to verify that there is enough space for the full riser set. **Do not lock these units together** until the remaining units are positioned.
2. Place interlocking leg spacers on the floor under the inside legs of the rectangular units as shown in the illustration. Platform legs fit into the hole in the center of the spacer.

Note: Interlocking leg spacers are used only to connect rectangular platform units together. Use metal spacer assemblies to connect pie-shaped platform units together as described on the following page.

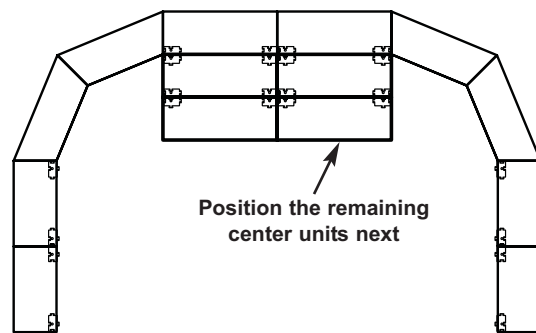


3. Attach adjoining units together in at least two places, using the unit-to-unit clamps beneath the platform surface.



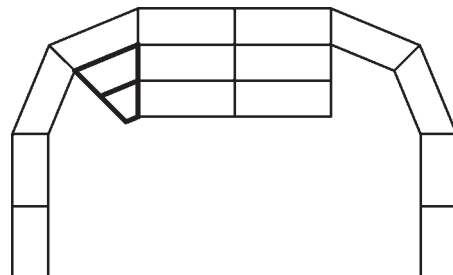
Bottom View of Unit-to-Unit Clamp

4. Position the remaining units for the center section — first the middle elevation (16"), then the front (8"). Repeat the pattern for the interlocking leg spacers on the rectangular units.



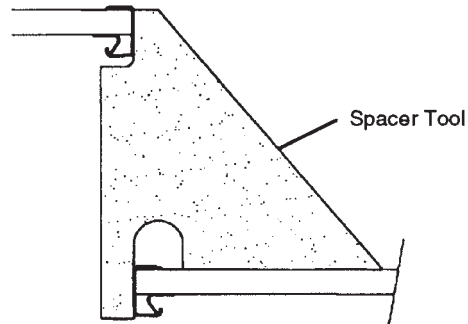
Position the remaining center units next

5. Assemble the next section (pie-shaped units) to the **left** of the completed section, again starting with the highest elevation and working down to the lowest elevation.

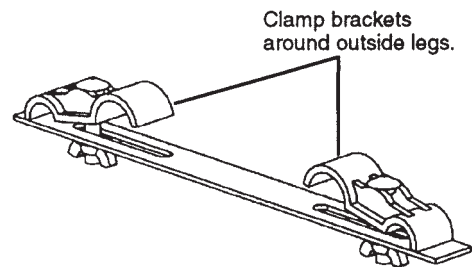
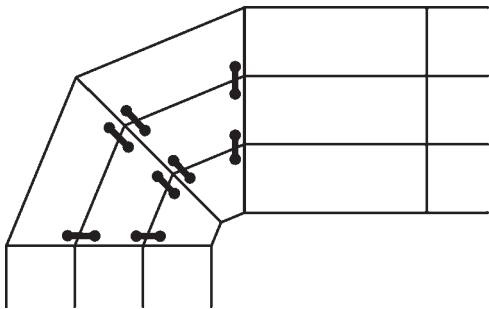


CONNECTING RISER SECTIONS (CONTINUED)

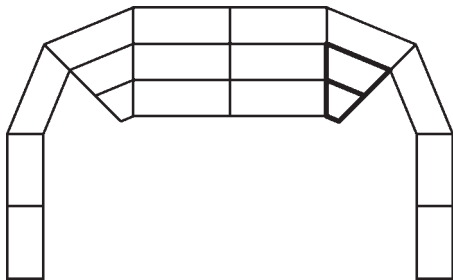
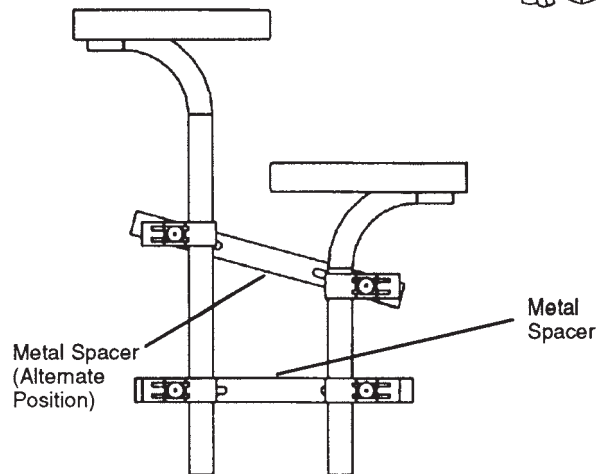
- Use the riser spacer tool to align the edges of the pie-shaped units vertically. Make sure the corners of the decks are aligned.



- Connect all matching height units together using the unit-to-unit clamps.
- Connect different height pie-shaped units together using metal spacer assemblies.



- Assemble the next section (pie-shaped units) to the **right** of the completed sections, again repeating steps 6 - 8 and connecting same-height sections with the unit-to-unit clamps.



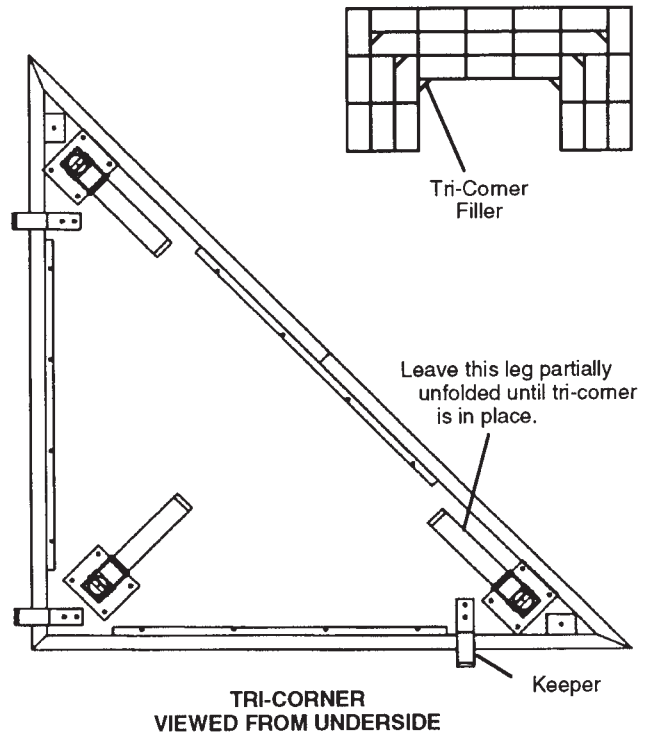
- Continue until all sections are installed.

CONNECTING RISER SECTIONS (CONTINUED)

INSTALL TRI-CORNER FILLERS (IF USED)

10. Tri-corner fillers are used to fill corner voids in rectangular configurations. To install them:

- a. Unfold the two legs on the side that has two keepers, until they lock in place. **Partially** unfold the third leg (don't lock it).
- b. Set the tri-corner approximately in place, and raise the corner with the unfolded leg until the two keepers will slide under the edging of the opposite riser. Push the tri-corner tight against that riser. Lower the corner until the single keeper will slide under the edging of the adjacent riser. Slide the tri-corner until it contacts the riser. Raise the corner. Lower and lock the third leg. Make sure that all legs are locked in their open position.



INSTALLING CHAIR STOPS

The riser was shipped with enough chair stops to span the back of all elevations on the risers, plus the sides of end units that are 16" or higher.

Chair stops cannot be installed where closure panels or guard rails are used.

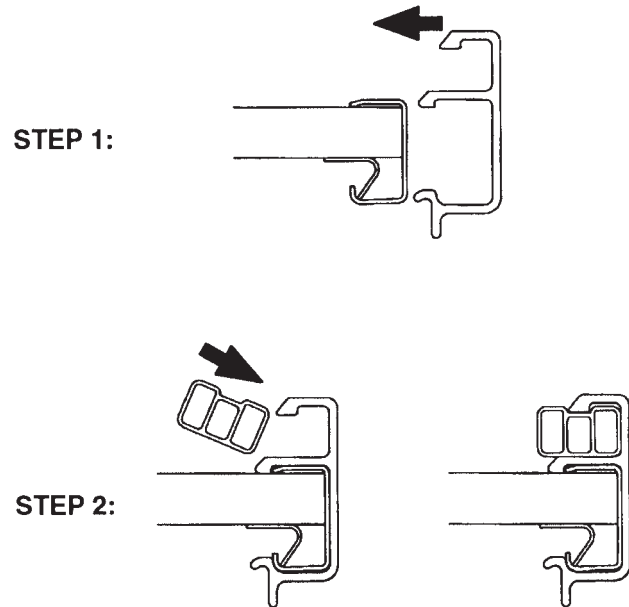
Any excess chair stop may be discarded.

To install chair stops:

1. Snap chair stop clips onto every unit, where appropriate, at approximately 24" intervals.

Note: Side closures must be installed after the clips, but before the chair stops are installed. See "Installing Closure Panels" above.

2. Install the chair stops into the clips, with the grooved side up.



INSTALLING CLOSURE PANELS

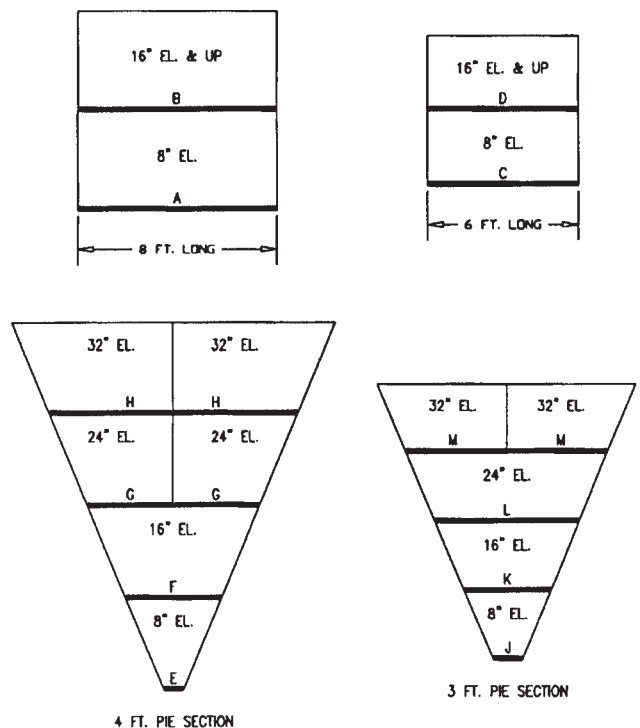
There are two styles of closure panels:

- Those that go between the different levels of units (elevation closures). They have positioning brackets along the top edge.
- Those that touch the floor (along the front of the bottom row, and the side closure panels). They have clips along the top edge to snap the closure onto the unit.

To simplify installation, the closures are labeled (on the back side) by a letter that indicates their length and position. See the illustration.

Note: On some rectangular riser sets, there may also be various odd-length closure panels that are not labeled.

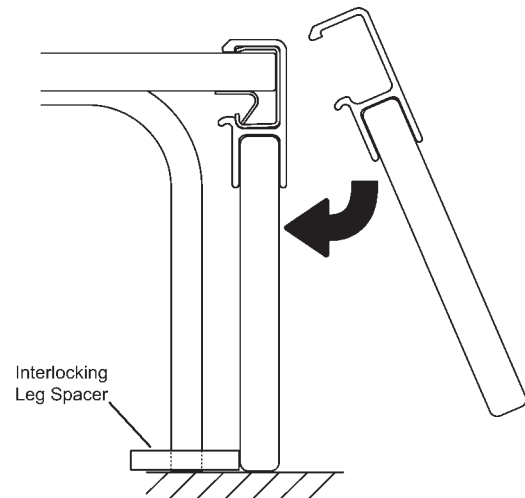
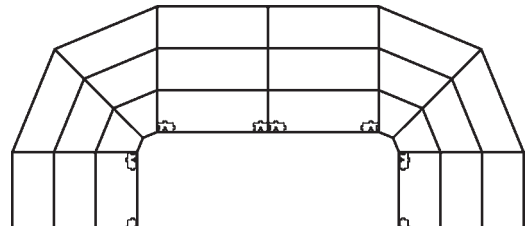
It is suggested that you install any 8' and 6' closures first. This will make it easier to identify where the smaller closures mount.



INSTALLING CLOSURE PANELS (CONTINUED)

FRONT FLOOR-LEVEL CLOSURES

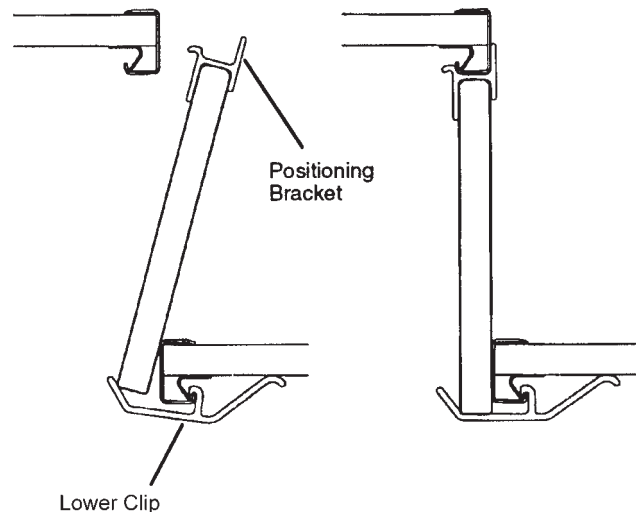
1. Interlocking leg spacers must be installed on the front row of platform legs to provide a backstop for the front floor closure panels.
2. Snap the panels onto the riser unit. Inside edge should be flush with interlocking leg spacer for support.



ELEVATION CLOSURES

Install the panels from the middle of the riser set, and then work your way toward the ends. This will even out any gaps between the elevation closures and the side closure panels.

1. Hook the lower clips onto the lower elevation units at the same intervals as the positioning brackets that came installed on the closure panel.
2. Set the closure panel onto the clips, then push the closure panel down and rotate it until the positioning brackets catch the upper elevation unit.



SIDE CLOSURES

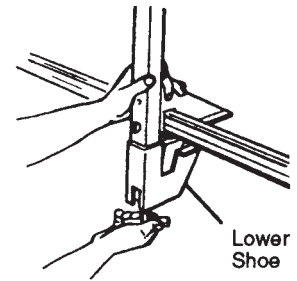
Snap the panels onto the sides of the riser set (in the same way as the front floor-level closures).

Note: Chair stop clips must be installed before the side closures; chair stops must be installed after the side closures. See "Installing Chair Stops" on page 17.

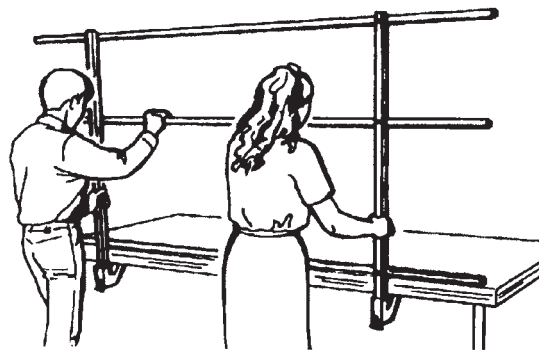
INSTALLING GUARD RAILS

To attach each guard rail assembly to the platform system:

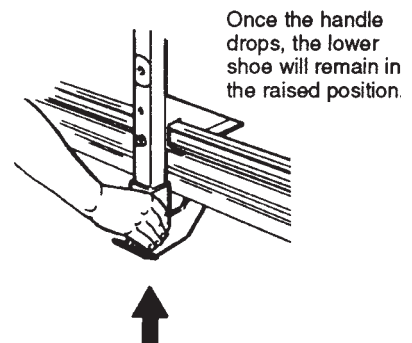
1. Unscrew the handle at the bottom of each upright, **just until** pulling the handle outward allows the lower shoe to drop. **Don't** unscrew all the way.



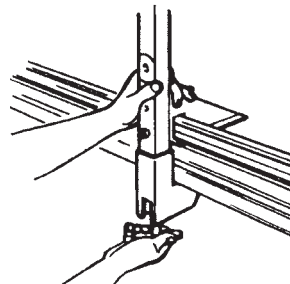
2. Set the guard rail on the platform, with the lower shoe on each upright positioned below the deck surface. Center the rail side-to-side on the platform section.



3. Lift the lower shoe on each upright until the handle drops.



4. Slide the Rail against the platform deck and turn the handle until the lower shoe is tight against the platform deck.



DISASSEMBLING THE PLATFORM SYSTEM

1. To remove the drapery from a backdrop:
 - a. "Peel" the drapery away from the crossbar.
 - b. Fold the drapery carefully to minimize wrinkling in storage.
An optional carrying case can be purchased from Wenger to store the drapery.
 - c. Press the release button on each upright, and lift the backdrop support from the guard rail.
2. Remove any stairways by lifting the outer end (lowest step) until the hook tube assembly is free of the stage.
3. Remove any drapery enclosures by reversing the installation procedure. See "Installing Drapery Enclosures" on page 10.

Don't remove the clips from the drapery unless they have to be relocated. Keeping the clips on the drapery prevents losing them and eliminates the need to store separately.

If the clips remain attached to the platform frame they will interfere with storage of the platform units.

Carefully fold the drapery to minimize wrinkling. Special drapery hangers are available from Wenger.

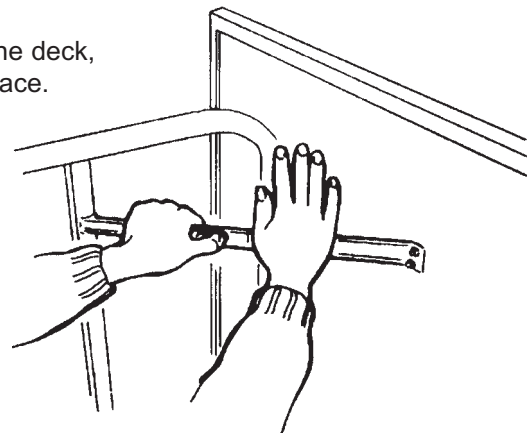
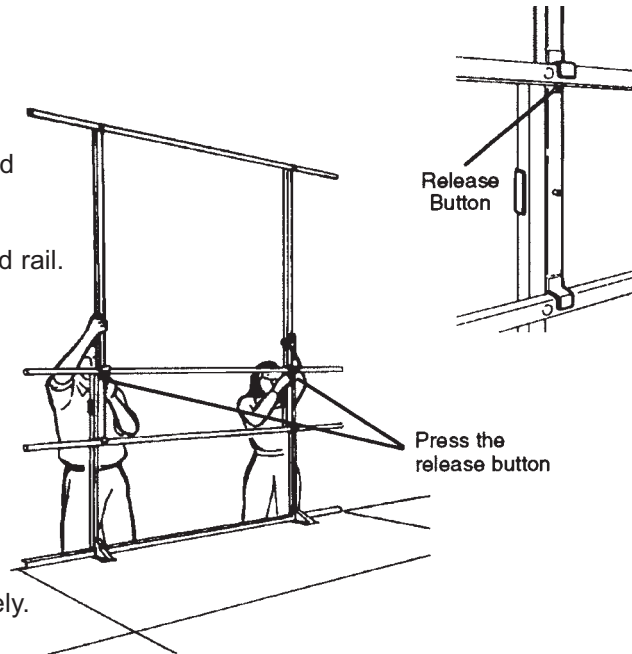
4. Remove any guard rails by unscrewing the handles. Store the guard rails on the (optional) guard rail storage cart.
5. Remove all closure panels.
6. Remove all chair stops.

IMPORTANT: Two people are recommended for the following step.

7. Release the unit-to-unit clamps on the underside of adjacent same-height platforms. See "Connecting Same-Height Platforms" on page 8.
8. Pull the first platform section away from the stage or riser and place near the storage cart. Tilt the section onto the cart.
9. Return the legs to their shorter position (if extended on dual-height models).
10. To fold the legs:

- a. On each leg brace, slide the brace lock away from the deck, and use the heel of your other hand to unlock the brace.
- b. Fold the legs against the deck.

11. Be sure the platform units are positioned securely on the cart:
 - a. On 12-Unit Carts, slide the end of the platform units all the way into the guides on the handle end.
 - b. On 6- or 8-Unit Carts, secure each platform unit with the unit lock.
 - c. On 3-Unit Carts, the platform units rest against the diagonal brace.
10. Repeat steps 8 through 11 for the remaining sections.



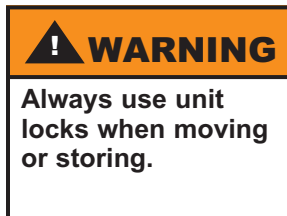
LOADING THE STORAGE CARTS

Wenger storage carts are available to store and transport 3, 6, 8, or 12 platform units. All cart models store the platform units vertically, so that they can be tipped off the cart directly into their setup position. See "Setting Up Individual Platform Units" on page 6).

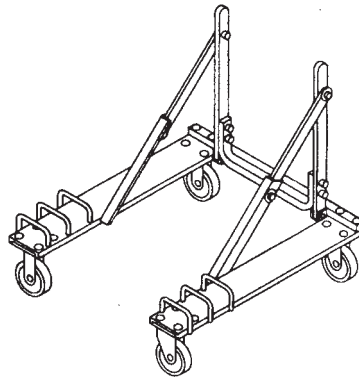
- On the 3-Unit Cart, platform units rest against the diagonal brace.
- On the 6 and 8-Unit Carts, platform units are secured by the latches of the unit lock assembly at the top of the cart.

Note that the height of the top cross tube on 6- and 8-Unit Carts can be adjusted to fit platform units that are either 3' or 4' wide.

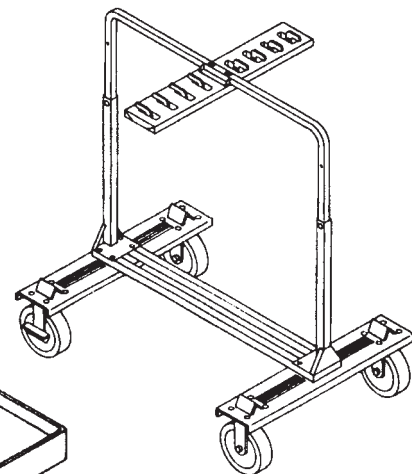
- On the 12-Unit Cart, platform units are secured by slipping them into the guides on the upright handle assembly.



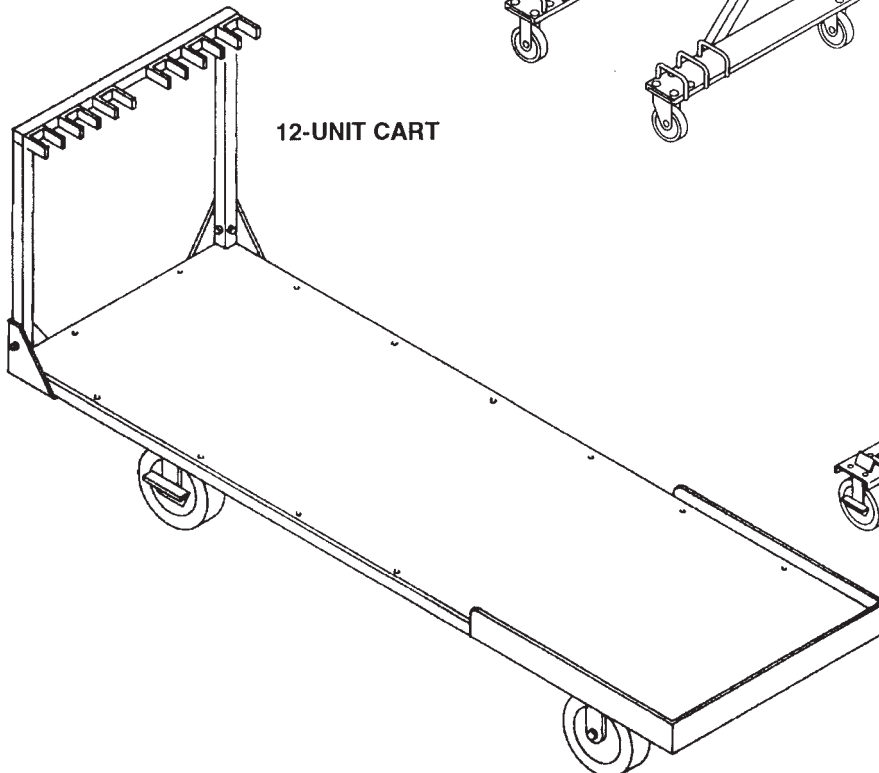
3-UNIT CART



6- and 8-UNIT CARTS
(8-Unit model shown)



12-UNIT CART



MAINTENANCE

STAGE SURFACE

Trouper platform units are available with the following surfaces:

- hardboard
- skid-resistant
- carpeted.

Clean and protect hardboard surfaces as you would any normal flooring. Clean skid-resistant surfaces by sweeping with a broom. Spot-clean carpeting, keeping it as dry as possible — never saturate the carpet.

DRAPERY ENCLOSURES AND BACKDROPS

Drapery sections may be washed or dry-cleaned. Remove all drapery clips prior to cleaning.

Machine-wash at 120° F or lower using mild detergent. Remove immediately after the wash cycle is completed.

Tumble-dry at “permanent-press” or lower temperature. Remove and hang immediately to prevent wrinkling. Excessive heat or drying time will detract from the permanent-press characteristics of the fabric.

Little or no ironing is required.

When dry-cleaning, tumble-dry on the lowest heat cycle and remove immediately when dry.

OTHER PREVENTIVE MAINTENANCE

Inspect all bolts on the stage and accessories every six months, and tighten as necessary.

Replace any worn, bent, or broken parts promptly to prevent injury.

REPLACEMENT PARTS LIST

Replacement parts for your Trouper Platform System can be ordered from Wenger Corporation by:

Phone: USA, (800) 733-0393
International, (507) 455-4100 collect

Fax: (507) 455-4258

Mail: The Wenger Corporation
P.O. Box 448
555 Park Drive
Owatonna, Minnesota, USA 55060-0448

When ordering replacement parts, always indicate the product name and model.

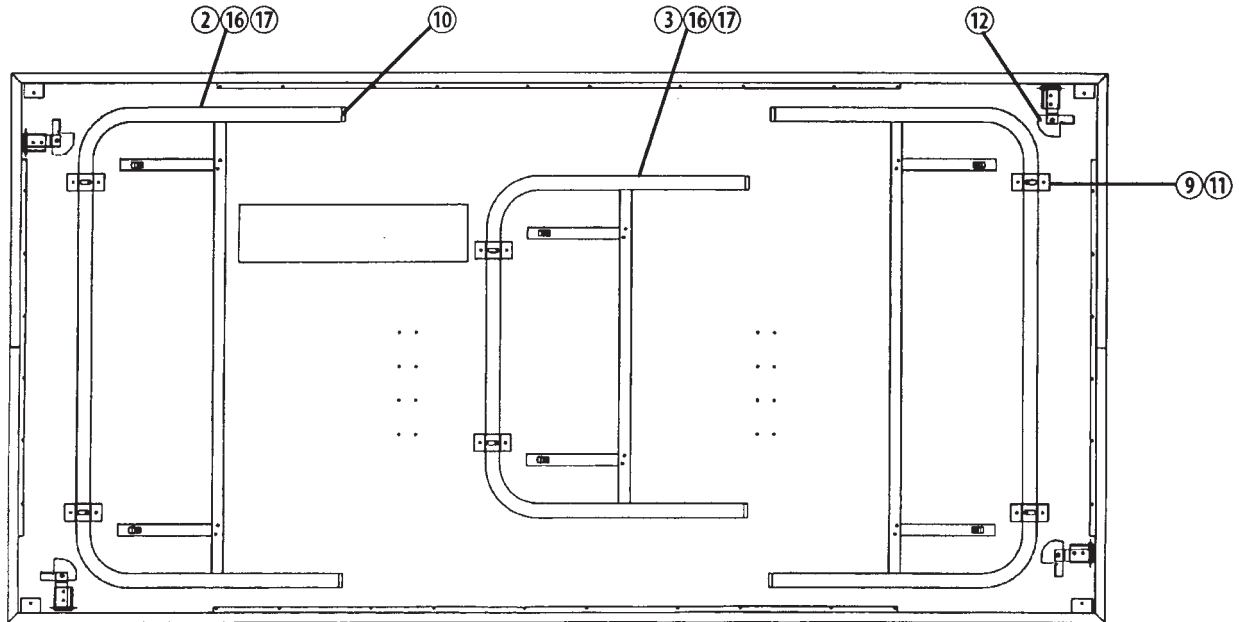
Items not shown on the following pages:

When ordering additional backdrop or enclosure draperies, indicate height, width, and color.

Replacement parts are not available for the basic platform units: order complete new units.

REPLACEMENT PARTS LIST (CONTINUED)

PLATFORM DECK

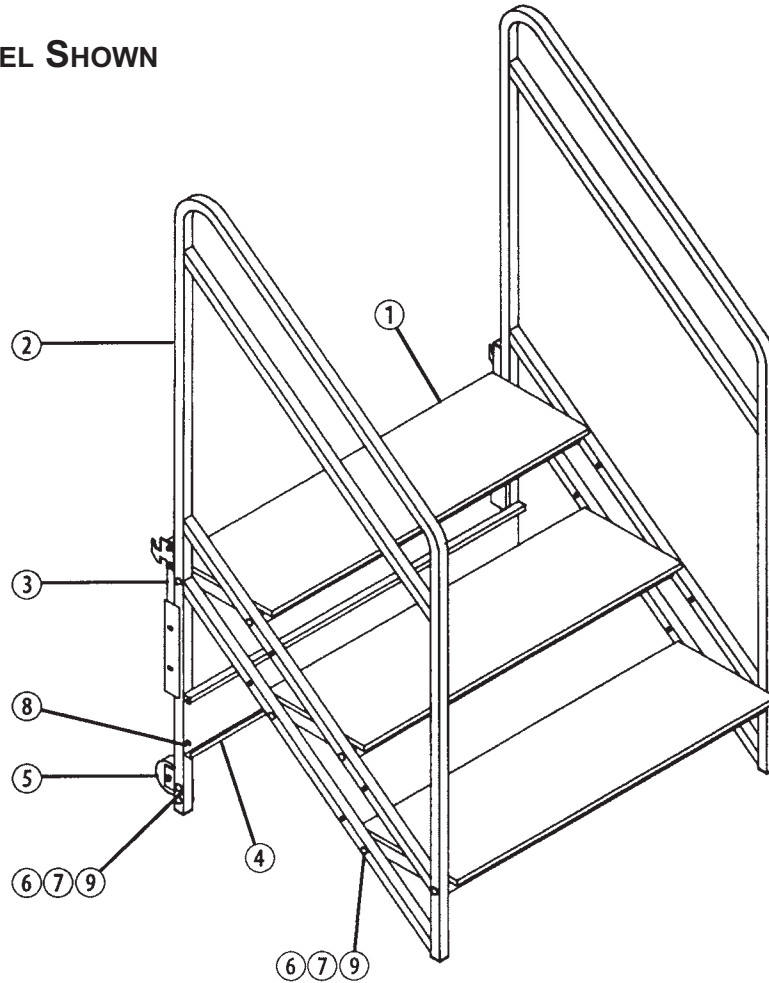


Item	Qty	Description
2	2	Leg assembly, outside
3	1	Leg assembly, inside
9	6	Bracket, leg pivot
10	6	Plug, leg tip, fixed-height
10	6	Plug, leg tip, dual-height
11	3	Screw, Phillips pan-head, 8 - 18 x 1/2"
12	4	Lock assembly, unit-to-unit
16	6	Lock, brace
17	6	Spring, compression

REPLACEMENT PARTS LIST (CONTINUED)

2 AND 3-STEP STAIRWAYS

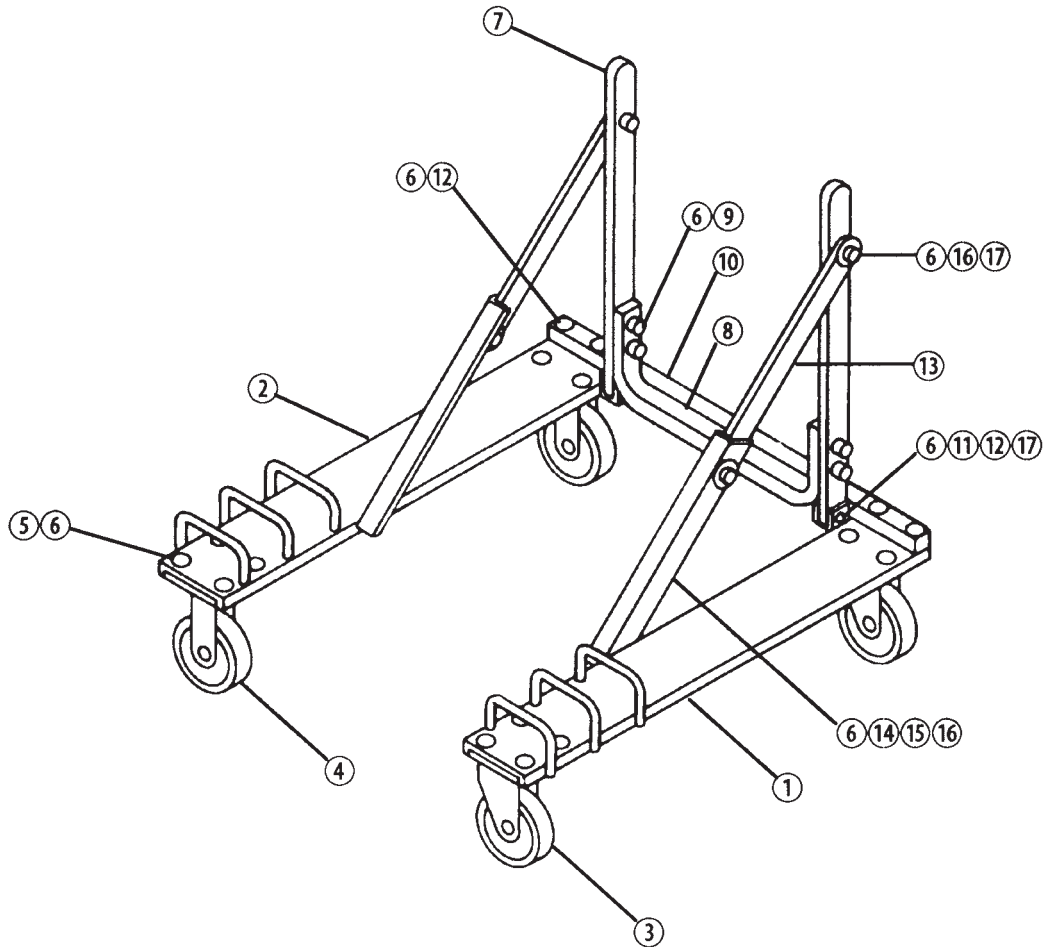
3-STEP MODEL SHOWN



Item	Qty 2-Step	Qty 3-Step	Description
1	2	3	Step assembly
2	2	2	Frame assembly, hand-rail
3	2	2	Tube, hook (with notched plate)
4	1	1	Brace, cross
5	2	2	Wheel assembly
6	12	16	Nut, hex, 5/16 - 18
7	12	16	Bolt, carriage, 5/16 - 18 x 1-1/2"
8	4	4	Screw, self-tapping, 1/4" x 3/4"
9	12	16	Washer, lock, 5/16"

REPLACEMENT PARTS LIST (CONTINUED)

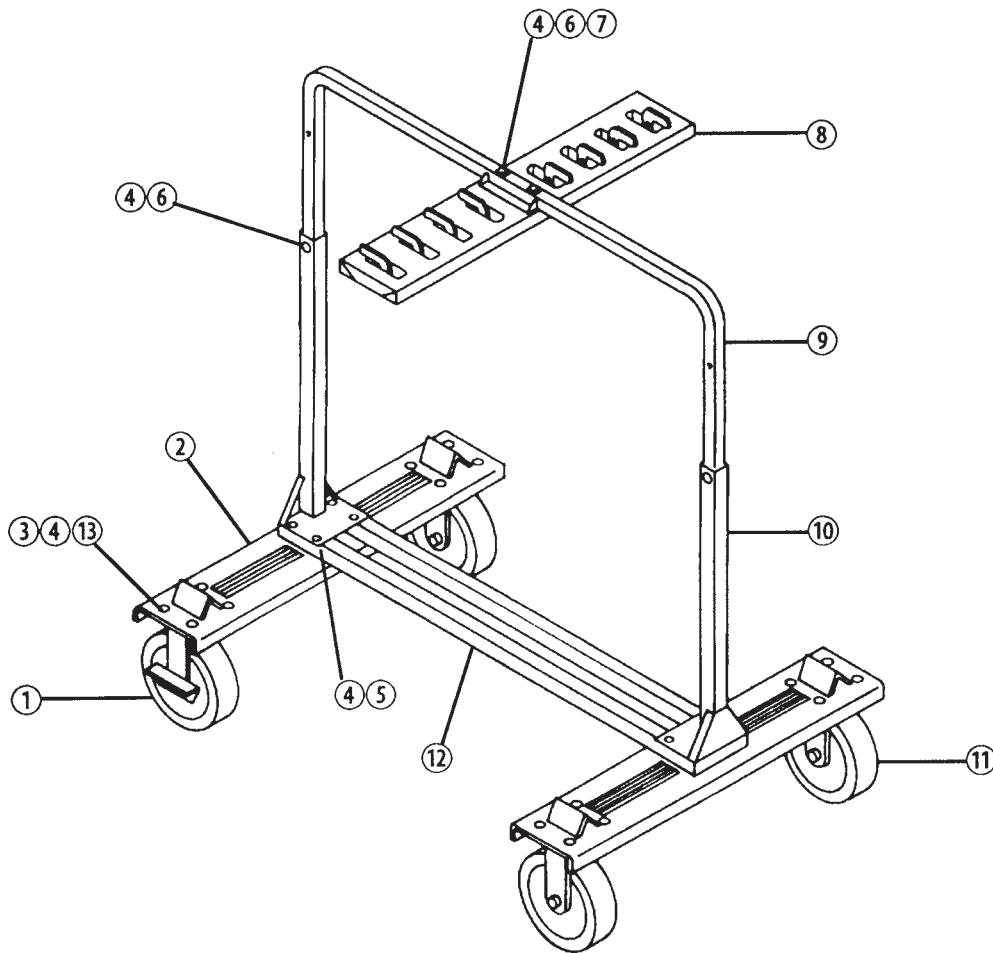
3-UNIT STORAGE CART



Item	Qty	Description	Item	Qty	Description
1	1	Channel, caster, right-hand (with decal)	10	1	Tube, back frame
2	1	Channel, caster, left-hand	11	2	Bracket, pivot
3	2	Caster, swivel	12	6	Bolt, carriage, 5/16 - 18 x 2"
4	2	Caster, rigid	13	2	Strap, brace
5	12	Bolt, carriage, 5/16 - 18 x 5/8"	14	2	Angle, brace
6	30	Nut, lock, 5/16 - 18	15	4	Capscrew, 5/16 - 18 x 1"
7	2	Post assembly, upright	16	12	Washer, flat, 5/16"
8	1	Tube, cross	17	4	Capscrew, 5/16 - 18 x 1-3/4"
9	4	Capscrew, 5/16 - 18 x 2 - 1/4"			

REPLACEMENT PARTS LIST (CONTINUED)

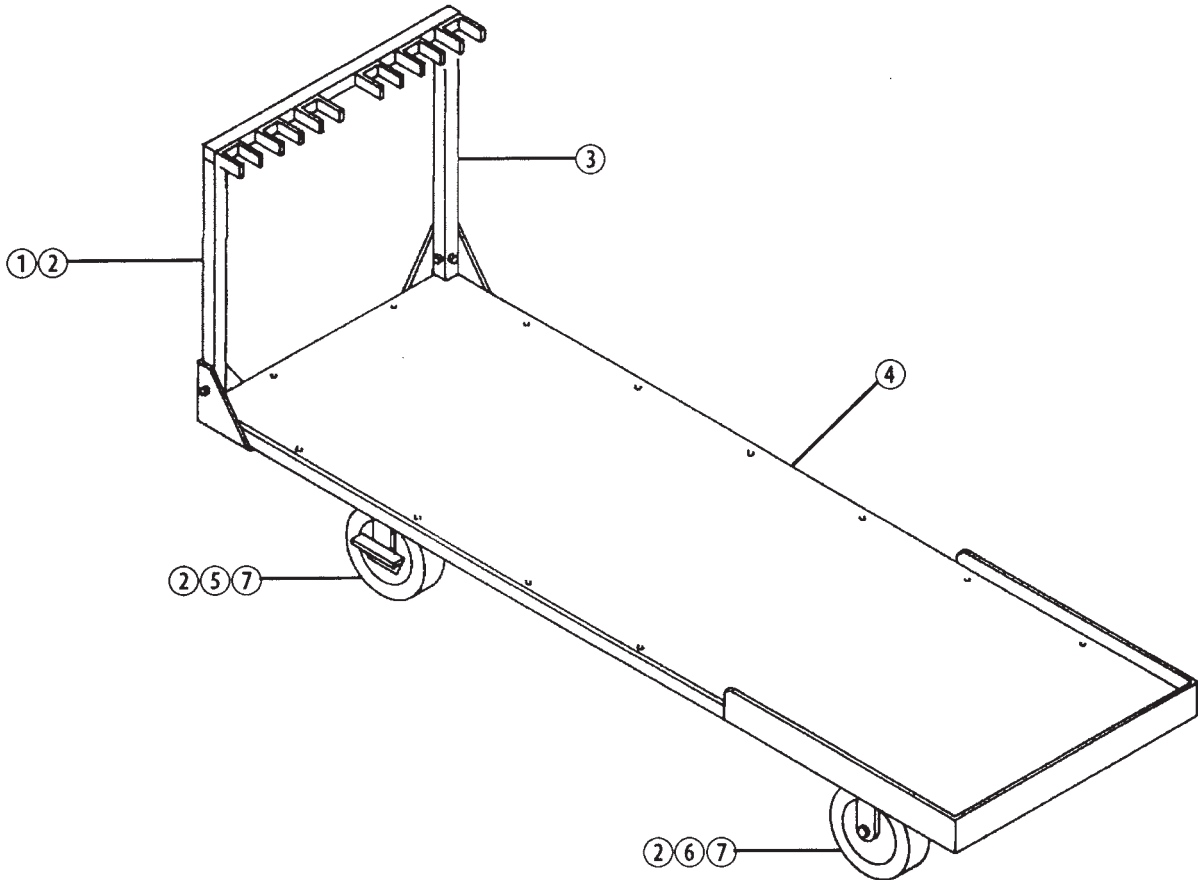
6 AND 8-UNIT STORAGE CART



Item	Qty	Description	Item	Qty	Description
1	2	Caster, swivel	8	1	Lock assembly, unit
2	2	Channel, caster	9	1	Tube, cross
3	16	Bolt, carriage, 5/16 - 18 x 3/4"	10	2	Upright assembly
4	28	Nut, lock, 5/16 - 18	11	2	Caster, rigid
5	8	Bolt, carriage, 5/16 - 18 x 2-1/4"	12	2	Brace, center
6	4	Capscrew, 5/16 - 18 x 2"	13	16	Washer, lock, 5/16"
7	2	Washer, flat, 5/16"			

REPLACEMENT PARTS LIST (CONTINUED)

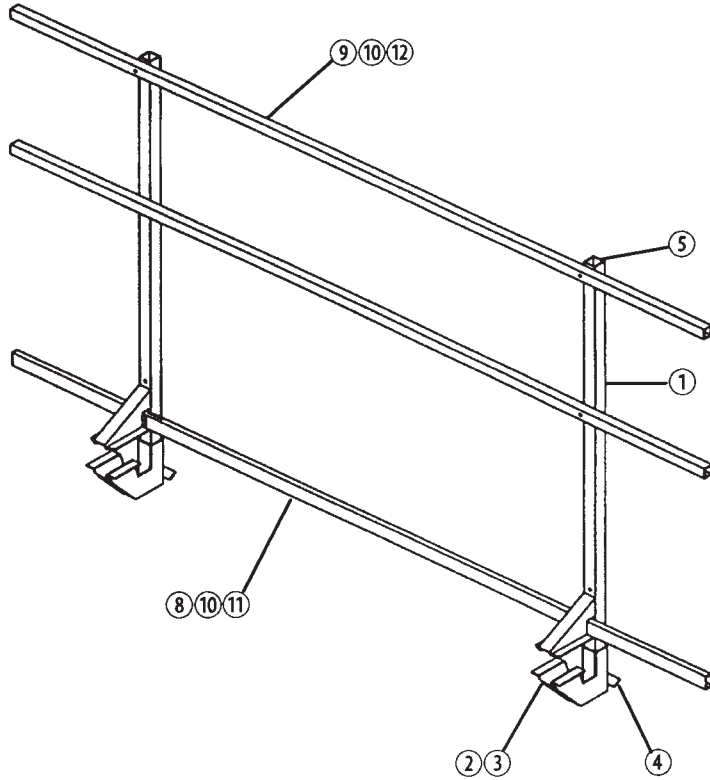
12-UNIT STORAGE CART



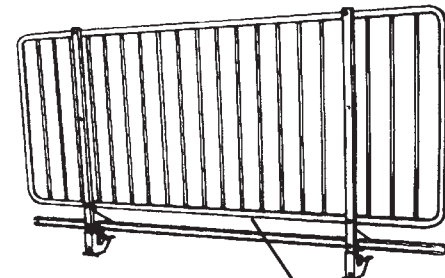
Item	Qty	Description
1	4	Capscrew, 3/8-16 x 2-1/4"
2	10	Nut, lock, 3/8 - 16
3	1	Bracket assembly, end
4	1	Frame assembly, base
5	2	Caster, swivel
6	2	Caster, rigid
7	6	Capscrew, 3/8 - 16 x 1"

REPLACEMENT PARTS LIST (CONTINUED)

GUARD RAILS



In-Fill Panel Railing



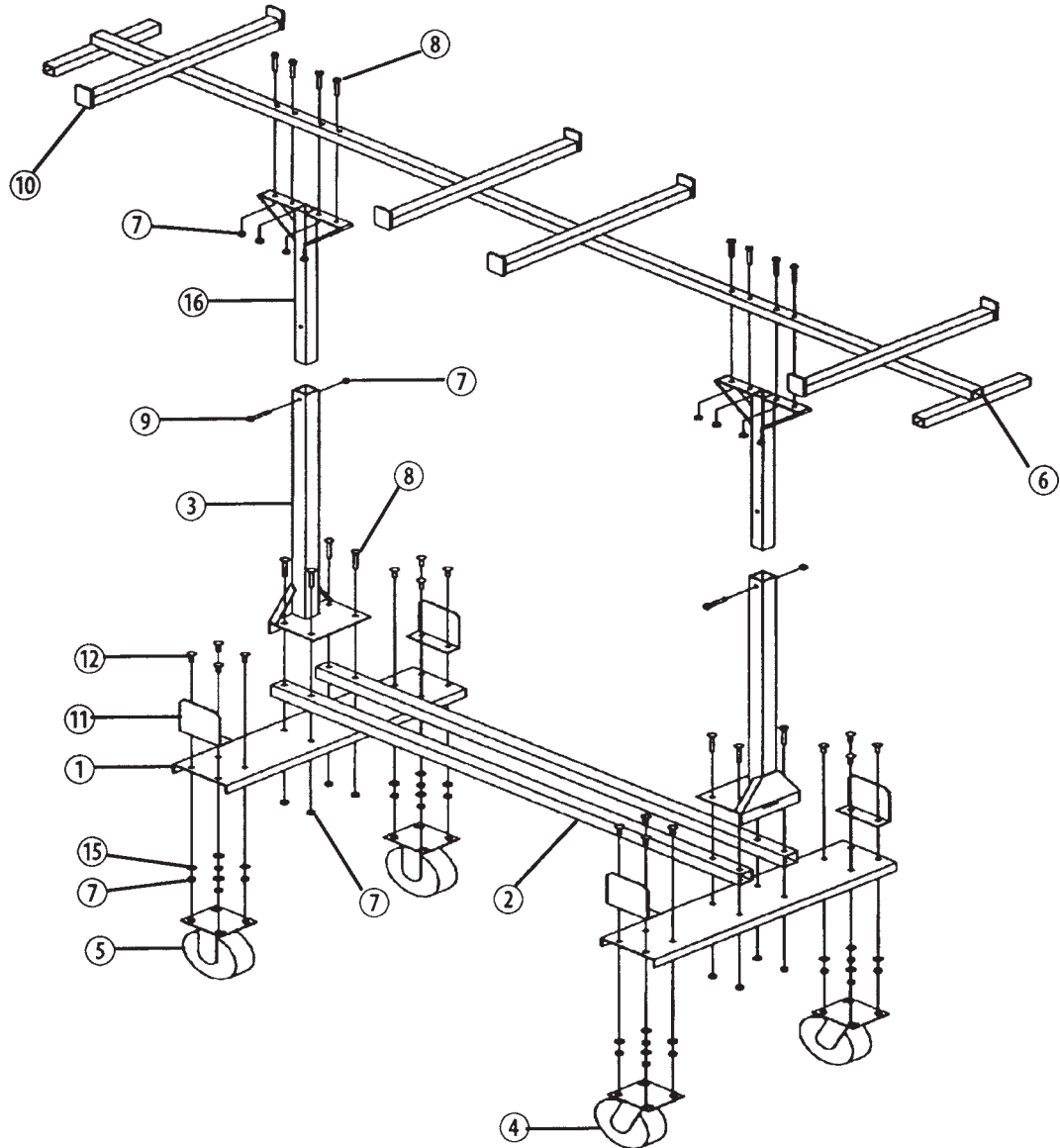
All other parts are the same as on a standard rail assembly.

Item	Qty	Description	Item	Qty	Description
1	2	Upright Weldment	9	4	Bolt, carriage, 5/16 - 18 x 3-1/4"
2	2	Lower Bracket Weldment	10	6	Nut, lock, 5/16 - 18
3	2	Bolt, tab, 3/8-16	11	1	Rail, chair [*]
4	2	Handle, tee	12	2	Rail, guard [*]
5	2	Plug, 1-1/2" square	13	1	Railing, In-Fill Panel
8	2	Capscrew, 5/16 - 18 x 3-1/2"			

[*] Indicates rail length on order.

REPLACEMENT PARTS LIST (CONTINUED)

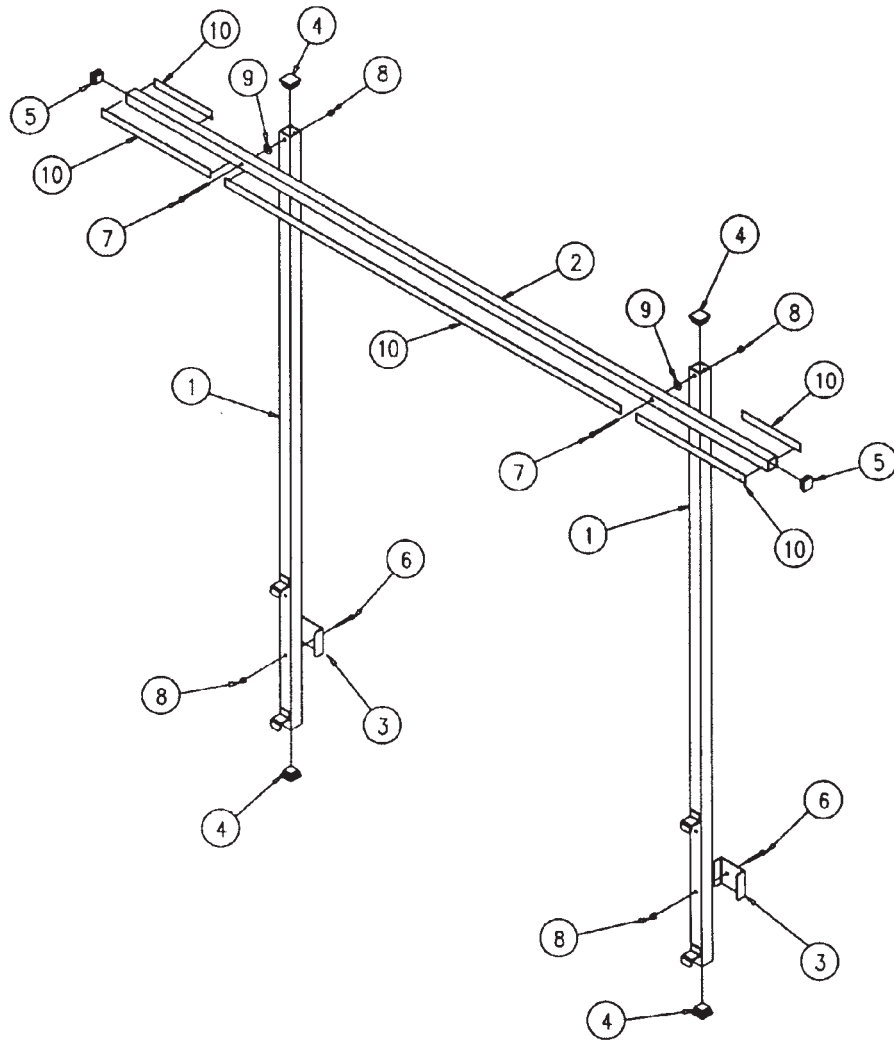
GUARD RAIL STORAGE TRUCK



Item	Qty	Description	Item	Qty	Description
1	2	Channel, caster	8	12	Bolt, carriage, round-head, 5/16 - 18 x 2"
2	2	Brace, center (specify 6- or 8-unit)	9	2	Capscrew, 5/16 - 18 x 2"
3	2	Upright weldment	10	1	Rack assembly
4	2	Caster, swivel, 6"	11	4	Bracket, stabilizer
5	2	Caster, rigid, 6"	12	16	Bolt, carriage, 5/16 - 18 x 1"
6	6	Plug, 1-1/4" square	15	16	Washer, flat, 1/4"
7	30	Nut, lock, 5/16 - 18	16	2	Tube weldment, upright support

REPLACEMENT PARTS LIST (CONTINUED)

DRAPERY BACKDROP SUPPORT



Item	Qty	Description
1	2	Upright Weldment
2	1	Tube, support
3	2	Bracket
4	4	Plug, 1-1/2" square
5	2	Plug, 1-1/4" square
6	2	Capscrew, 5/16 - 18 x 2"
7	2	Capscrew, 5/16 - 18 x 3-1/2"
8	4	Nut, lock, 5/16 - 18
9	2	Washer, flat, nylon, 5/16" I.D.
10	-	Hook-and-loop strip, 101" long

Stagehand Platform Systems

SAFETY PRECAUTIONS

Throughout this manual, you will find **CAUTIONS** and **WARNINGS**:

- **WARNING** means that if safety information is not followed someone could be seriously injured or killed.
- **CAUTION** means that if safety information is not followed the platform could be damaged or personal injury could result.

SETUP

Insist that anyone who assists with the set up the Stagehand Platform System be familiar with this manual.



GUARD RAILS

The guard rails are indicators of the perimeter of the platform system, and are not intended as a universal restraint. Excess weight or pressure will cause them to collapse.

Never use the rails:

- As a crowd barrier
- As a perch
- As a tie-down.



PLATFORM STABILITY

All platform units must be locked together using the unit-to-unit clamps beneath the stage surface. These clamps are designed for one-level stage sets. Do not set up a multilevel stage using Stagehand units.

Stagehand platforms are designed for level surfaces only and contain no provision for leveling adjustments.



GAS SPRINGS

If you suspect that the gas springs on the cart are not operating properly, contact the Customer Service department at Wenger Corporation immediately. **NEVER use a platform that has faulty springs!**



WARRANTY

Wenger Trouper Platform Systems are guaranteed free of defects in materials and workmanship for five full years.

Our guarantee assures you of either a full refund or repair or replacement of the defective materials or workmanship without charge, at the discretion of our Customer Service Department. Just call a Customer Service Representative at 1-800-733-0393 and state the reason you are dissatisfied. If a product return is necessary, your Representative will issue a return authorization. This is your sole remedy for breach of this warranty.

Should you have a question or problem with any Wenger product, don't hesitate to call, even if the product is past warranty. It's important to us that all our customers be satisfied.

This is the sole warranty made by Wenger. Wenger disclaims all other warranties, including the warranties of merchantability and fitness for a particular purpose, as well as all liability for incidental, consequential, special, and indirect damage. Wenger liability for direct damages shall be limited to the amount you paid for the product involved. Wenger reserves the right to make product changes without obligation to incorporate such changes into products previously sold.

Some states do not allow the exclusion or limitation of damages or warranties, so the above may not apply to you. This warranty gives you specific legal rights. You may also have other rights which vary from state to state.

INTRODUCTION

Stagehand platform units are available in two fixed elevations (16" and 24"), as well as two dual-height options (16/24" and 24/32").



Easily-attached 39" wide stairway units with double handrails are available in a 2-step version (for 16" or 24" stage heights) and a 3-step version (for 24" or 32" stage heights).

Guard rail assemblies should be used with all stage elevations, and are available in 3', 4', 6' and 8' lengths. The top rail on all guard rails is located 42" above the platform surface. The rail assemblies include a chair stop rail.

To give the stage a more formal, finished look, drapery skirting and drapery backdrops are also available from Wenger.

UNPACKING OR SETTING UP FOR THE FIRST TIME

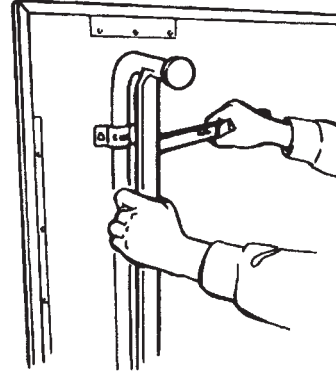
1. Remove all parts from their shipping cartons (refer to the packing list enclosed with the shipment). Save the packaging materials at least until the stage system has been set up the first time.
2. Sort all platform units and accessories by size, leg length, etc.
3. Assemble all carts and stairways that are shipped disassembled - using the instructions supplied with them.
4. If the platform units will be stored before being set up, see "Transporting and Storing Platform Units" on page 43 and "Disassembling the Platform System" on page 42.

If the platform units will be set up immediately, see "Setting Up Individual Platform Units" on page 36.

IMPORTANT: Read this entire manual before you start to set up a platform system.

SETTING UP INDIVIDUAL PLATFORM UNITS

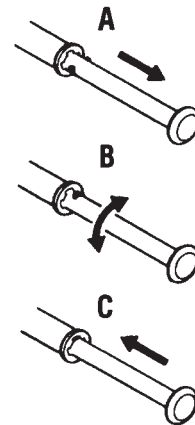
1. Bring the platform units to the set up area.
2. Open all legs on the platform units.
3. Straighten the hinged brace on each leg. Pull the brace until the lock engages.



4. Dual-Height Models.

Adjust the legs to the desired height:

- a. Pull the lower leg body out until the locking tabs are visible (A).
- b. Rotate the lower leg a quarter-turn (B).
- c. Engage the locking tabs and lock them into the upper leg body (C).

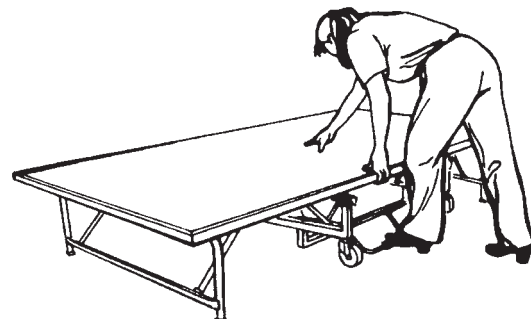
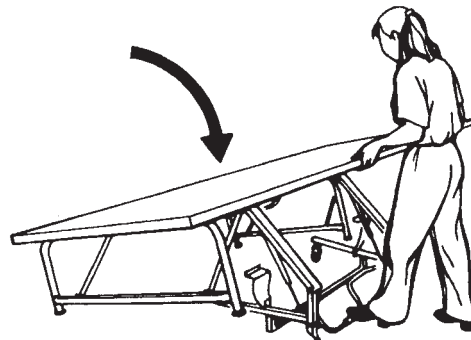


5. Depress the foot pedal with your left foot, and gently push the unit down to the floor. To keep the platform from rolling, maintain firm pressure on the pedal.

Note: Units can be moved into their final position by releasing the pedal just before the legs rest on the floor. Once the unit is in the desired location, depress the pedal again and gently push the unit down until it sets firmly in place. Lock the caster brakes.

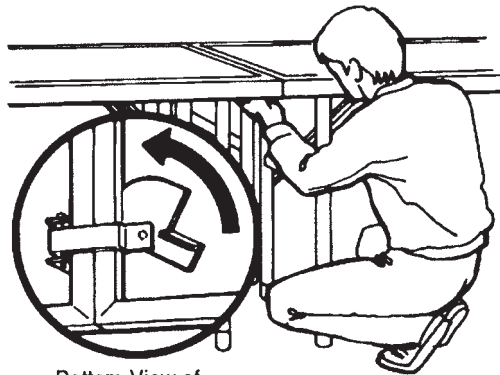
Note: Stagehand platforms have locking gas springs that are actuated only when the pedal is fully depressed. If the pedal is released while raising or lowering the deck, the gas springs lock and the deck won't move further up or down.

6. Repeat steps 2 - 5 for the remaining platform units.

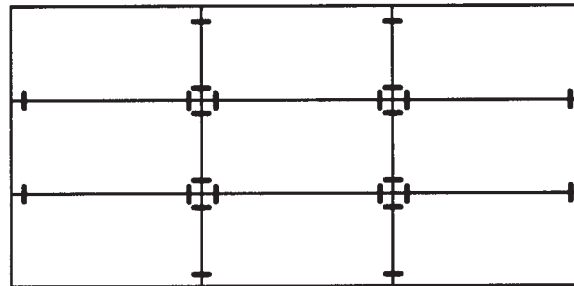


CONNECTING SAME-HEIGHT PLATFORMS

1. Position the first two platform units in their desired stage location (in the **rear center** of the stage). Attach them together in at least two places, using the unit-to-unit clamps beneath the platform deck.
2. Attach the remaining units together in the same way.



Bottom View of
Unit-to-Unit Clamp



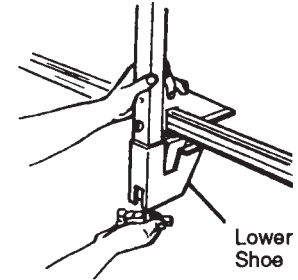
CAUTION: Make sure all units are locked together at the points indicated.



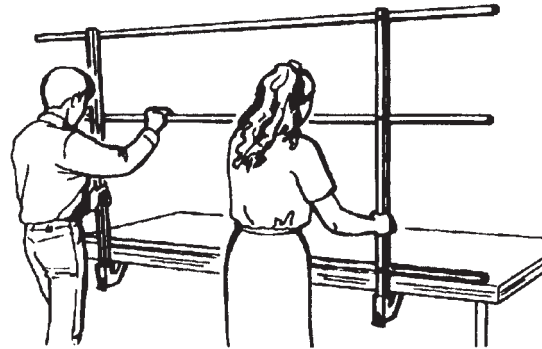
INSTALLING GUARD RAILS

To attach each guard rail assembly to the platform system:

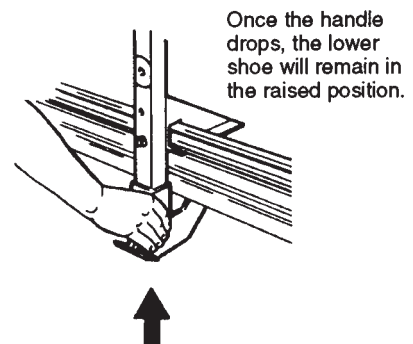
1. Unscrew the handle at the bottom of each upright, **just until** pulling the handle outward allows the lower shoe to drop. **Don't** unscrew all the way.



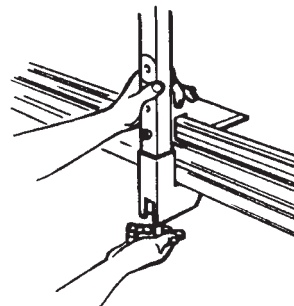
2. Set the guard rail on the platform, with the lower shoe on each upright positioned below the deck surface. Center the rail side-to-side on the platform section.



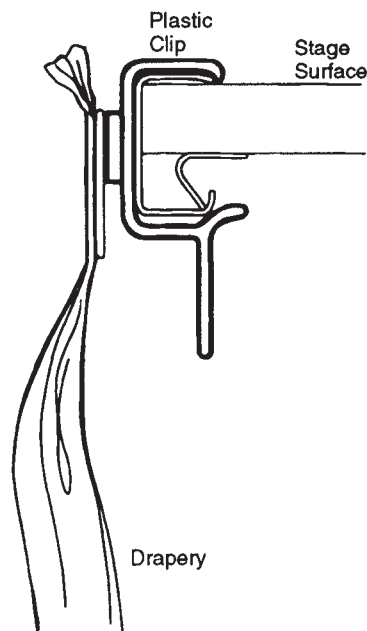
3. Lift the lower shoe on each upright until the handle drops.



4. Slide the Rail against the platform deck and turn the handle until the lower shoe is tight against the platform deck.



INSTALLING DRAPERY ENCLOSURES



Draperies are often used to close off the lower portion of the stage, for better appearance. They can be attached to the stage even where stairways or back/side rails are used.

The draperies are secured to the stage using plastic clips fitted with a hook tab that connects to a loop fastener on the drapery.

Drapery enclosures must be attached after guard rails are installed, and before stairways.

To attach the draperies:

1. Install clips along the stage perimeter wherever drapery is desired (about 12" apart).
2. Beginning at a corner of the stage, press the drapery onto the clips.
3. Continue attaching the drapery to the clips until the section is completely installed.
4. Repeat the above procedure with the remaining drapery sections.

INSTALLING THE STAIRWAY(S)

The 2-step and 3-step stairways supplied with Stagehand Platform Systems can be adapted to several platform system models and heights.

The hook tube assemblies that slip into guides on each side of the stairway frame have a notched plate which can be reversed to match the framework on the bottom of the platform deck. Select the hook tube assemblies that have the notched plate in the illustration, and install them as shown.

Each stairway model can be adjusted for two platform heights:

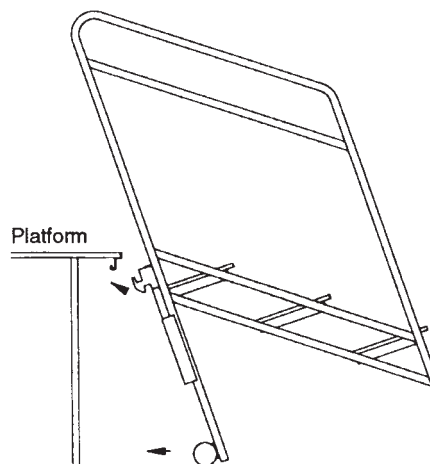
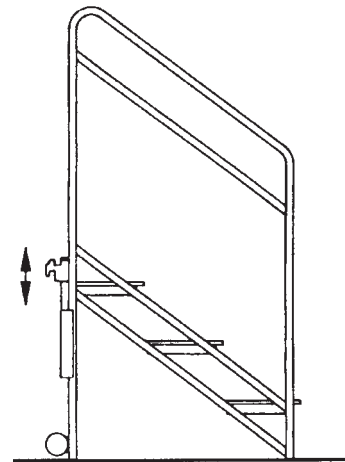
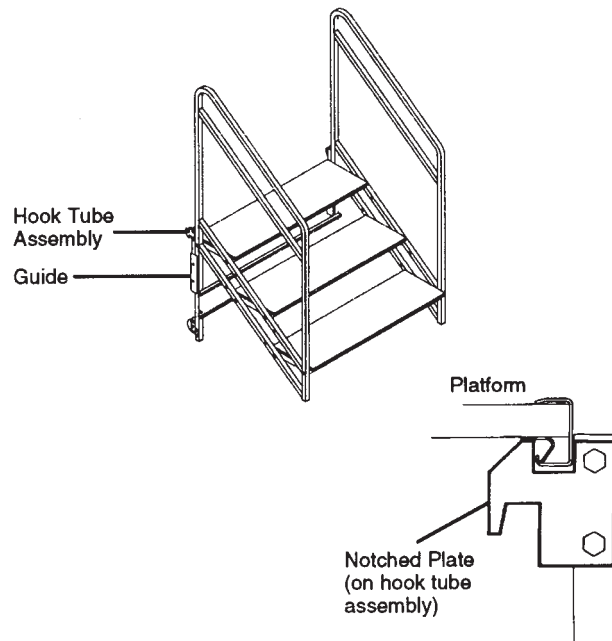
- The 2-step stairway can be adjusted for 16" or 24" platform heights
- The 3-step stairway can be adjusted for 24" or 32" platform heights.

When the snap button on the hook tube assembly is in the matching hole in the guide, the stairway can be connected to the higher platform. When the hook tube assembly is all the way down in the guide, the stairway can be connected to the lower platform.

The notched plates must be on the outside of the tubes, extending forward from the stairway frame.

To attach the stairway:

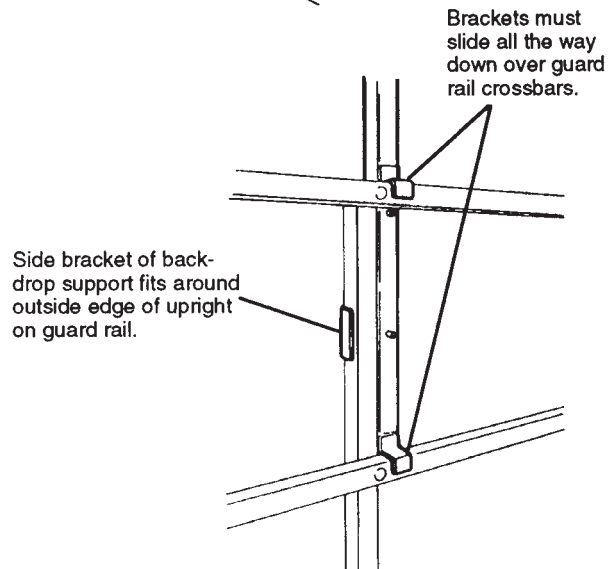
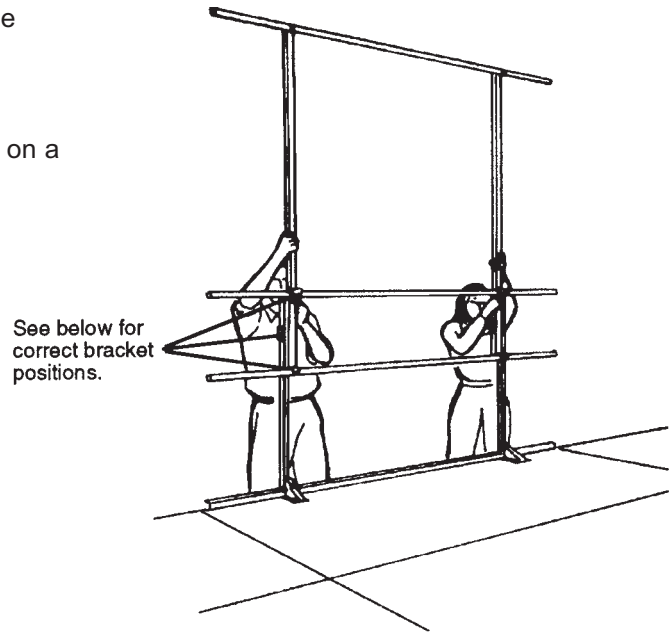
1. Be sure that the stairway has the correct hook tube assemblies (see above).
2. Adjust the hook tube assemblies to the proper height for the stage (see above).
3. Tip the stairway into place.
4. Check that the notch in the hook tube is secured to the stage framework, and that the stairway feet are flat on the floor.
5. Tuck the top edge of drapery enclosures under the lip of the stage at stairway locations.



INSTALLING A BACKDROP

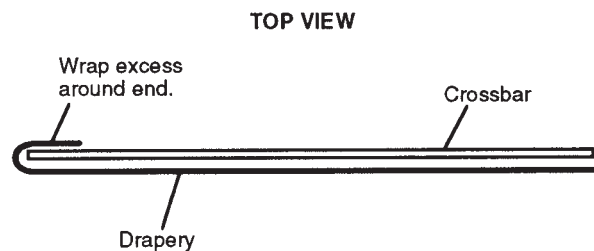
NOTE: Two people are required to install the backdrop support.

1. Unfold each backdrop support and set it on a guard rail as shown.



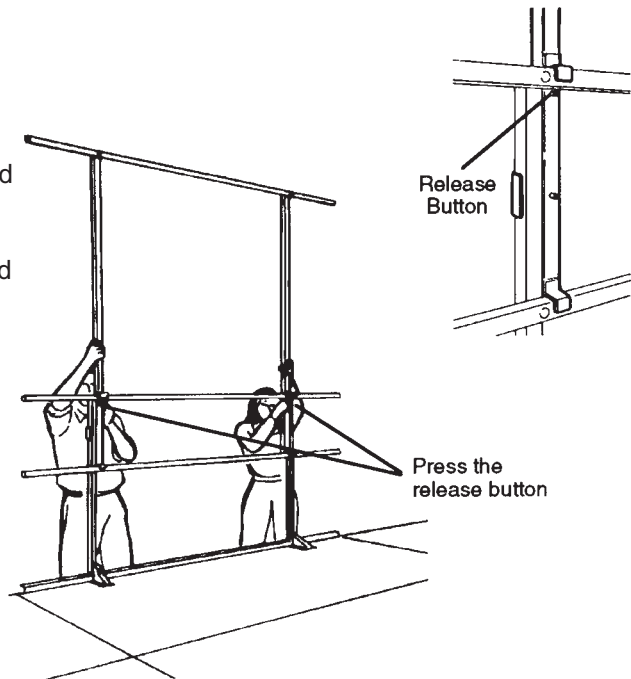
2. Hook-and-loop tape is attached to both surfaces so that drapery sections can be secured to the crossbar of the backdrop support.

Use a ladder to attach the drapery. Wrap any excess drapery around the end of the crossbar.



DISASSEMBLING THE PLATFORM SYSTEM

1. To remove the drapery from a backdrop:
 - a. "Peel" the drapery away from the crossbar.
 - b. Fold the drapery carefully to minimize wrinkling in storage.
An optional carrying case can be purchased from Wenger to store the drapery.
 - c. Press the release button on each upright, and lift the backdrop support from the guard rail.



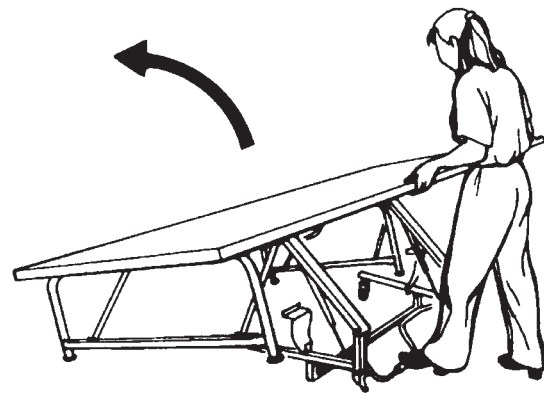
2. Remove any stairways by lifting the outer end (lowest step) until the hook tube assembly is free of the stage.
3. Remove any drapery enclosures by reversing the installation procedure. See "Installing Drapery Enclosures" on page 39.

Don't remove the clips from the drapery unless they have to be relocated. Keeping the clips on the drapery prevents losing them and eliminates the need to store separately.

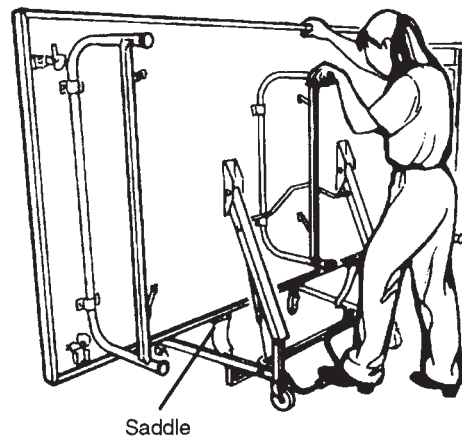
If the clips remain attached to the platform frame they will interfere with storage of the platform units.

Carefully fold the drapery to minimize wrinkling. Special drapery hangers are available from Wenger.

4. Remove any guard rails by unscrewing the handles.
Store the guard rails on the (optional) guard rail storage cart.
5. Release the unit-to-unit clamps on the underside of adjacent same-height platforms. See "Setting up Individual Platform Units" on page 36.
6. Depress the foot pedal with your left foot, and lift the deck to its vertical position. Be sure it is resting in both saddles, then release the pedal. Unlock the caster brakes.



Do not pull up on the deck too quickly, or the unit could overturn.

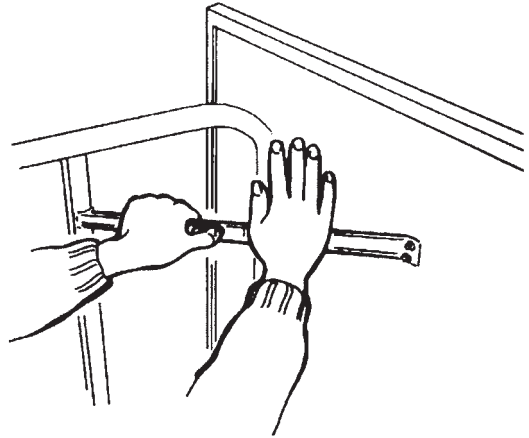


CAUTION
Unit can overturn if pedal is released before deck rests in saddles.

CAUTION
Unit can overturn if deck is lifted too quickly.

DISASSEMBLING THE PLATFORM SYSTEM (CONTINUED)

7. Return the legs to their shorter position (if extended on dual-height models).
8. To fold the legs:
 - a. One each leg brace, slide the brace lock away from the deck, then use the heel of your other hand to unlock the brace.
 - b. Fold the legs against the deck.
9. Repeat steps 5 to 8 for the remaining sections.



TRANSPORTING AND STORING PLATFORM UNITS

TRANSPORTING

To transport platform units to the storage area, roll them by pushing from the end.

If necessary, units can also be safely lifted and carried when in the transport position. For safe handling, two people are required. Grasp the ends of the deck — not the cart.

STORING

The platform units will nest together for compact storage.

MAINTENANCE

STAGE SURFACE

Stagehand platform units are available with the following surfaces:

- hardboard
- skid-resistant
- carpeted.

Clean and protect hardboard surfaces as you would any normal flooring. Clean skid-resistant surface by sweeping with a broom. Spot-clean carpeting, keeping it as dry as possible — never saturate the carpet.

DRAPERY ENCLOSURES AND BACKDROPS

Drapery sections may be washed or dry-cleaned. Remove all drapery clips prior to cleaning.

Machine-wash at 120° F or lower using mild detergent. Remove immediately after the wash cycle is completed.

Tumble-dry at “permanent-press” or lower temperature. Remove and hang immediately to prevent wrinkling. Excessive heat or drying time will detract from the permanent-press characteristics of the fabric.

Little or no ironing is required.

When dry-cleaning, tumble-dry on the lowest heat cycle and remove immediately when dry.

GAS SPRINGS

If you suspect that the gas springs on the cart are not operating properly, contact the Customer Service department at Wenger Corporation immediately. **NEVER use the platforms that have faulty springs!**

OTHER PREVENTIVE MAINTENANCE

Inspect all bolts on the stage and accessories every six months, and tighten as necessary.

Replace any worn, bent, or broken parts promptly to prevent injury.

REPLACEMENT PARTS LIST

Replacement parts for your Trouper Platform System can be ordered from Wenger Corporation by:

Phone: USA, (800) 733-0393
International, (507) 455-4100 collect

Fax: (507) 455-4258

Mail: The Wenger Corporation
P.O. Box 448
555 Park Drive
Owatonna, Minnesota, USA 55060-0448

When ordering replacement parts, always indicate the product name and model.

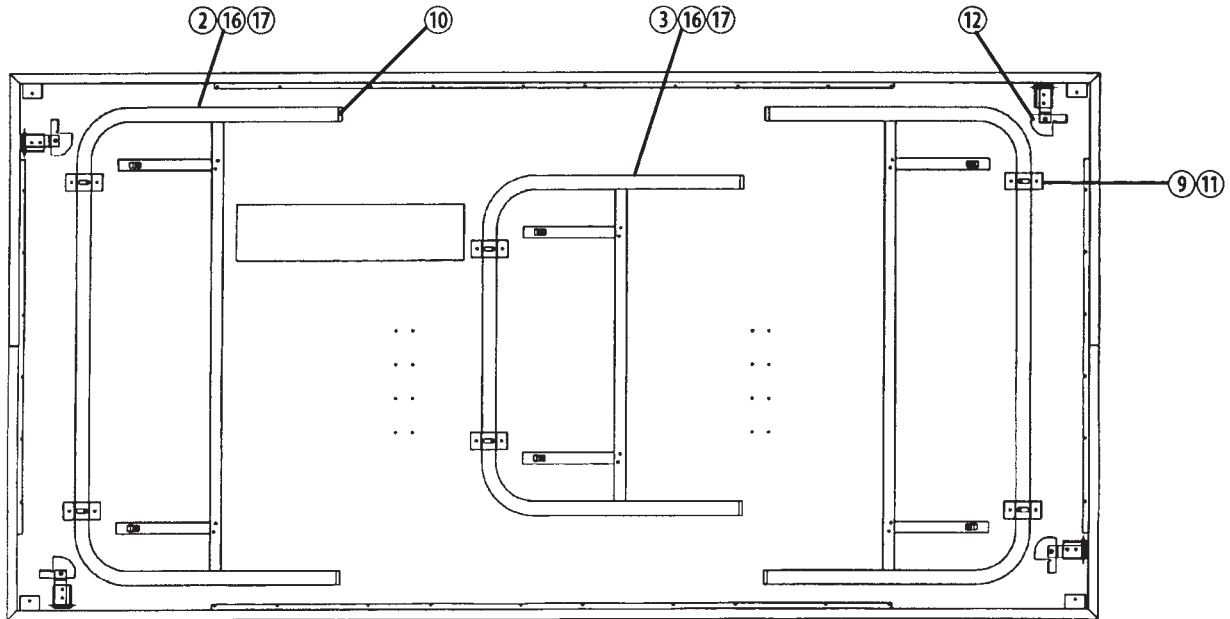
Items not shown on the following pages:

When ordering additional backdrop or enclosure draperies, indicate height, width, and color.

Replacement parts are not available for the basic platform units: order complete new units.

REPLACEMENT PARTS LIST (CONTINUED)

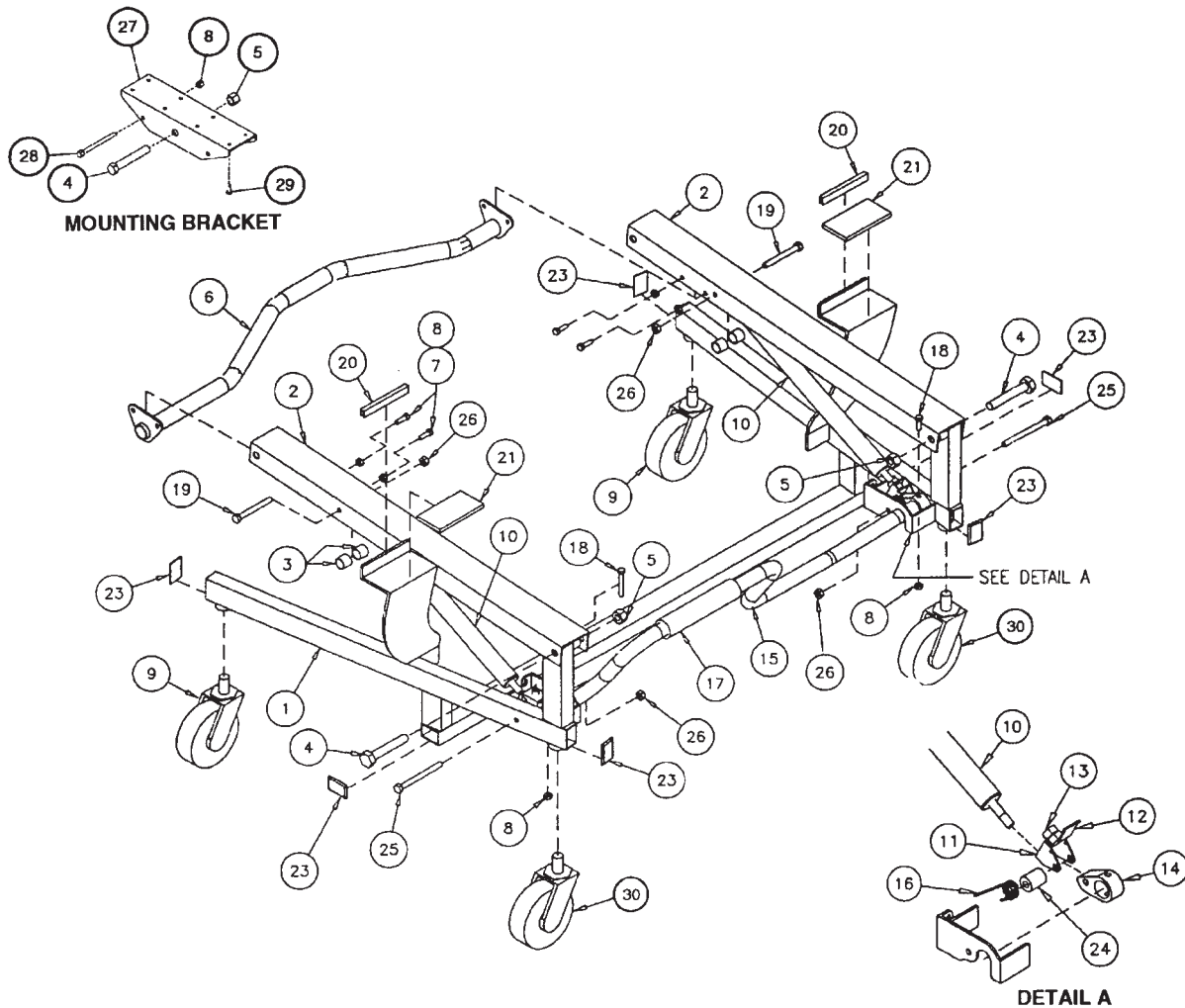
PLATFORM DECK



Item	Qty	Description
2	2	Leg assembly, outside
3	1	Leg assembly, inside
9	6	Bracket, leg pivot
10	6	Plug, leg tip, fixed-height
10	6	Plug, leg tip, dual-height
11	3	Screw, Phillips pan-head, 8 - 18 x 1/2"
12	4	Lock assembly, unit-to-unit
16	6	Lock, brace
17	6	Spring, compression

REPLACEMENT PARTS LIST (CONTINUED)

PLATFORM CART

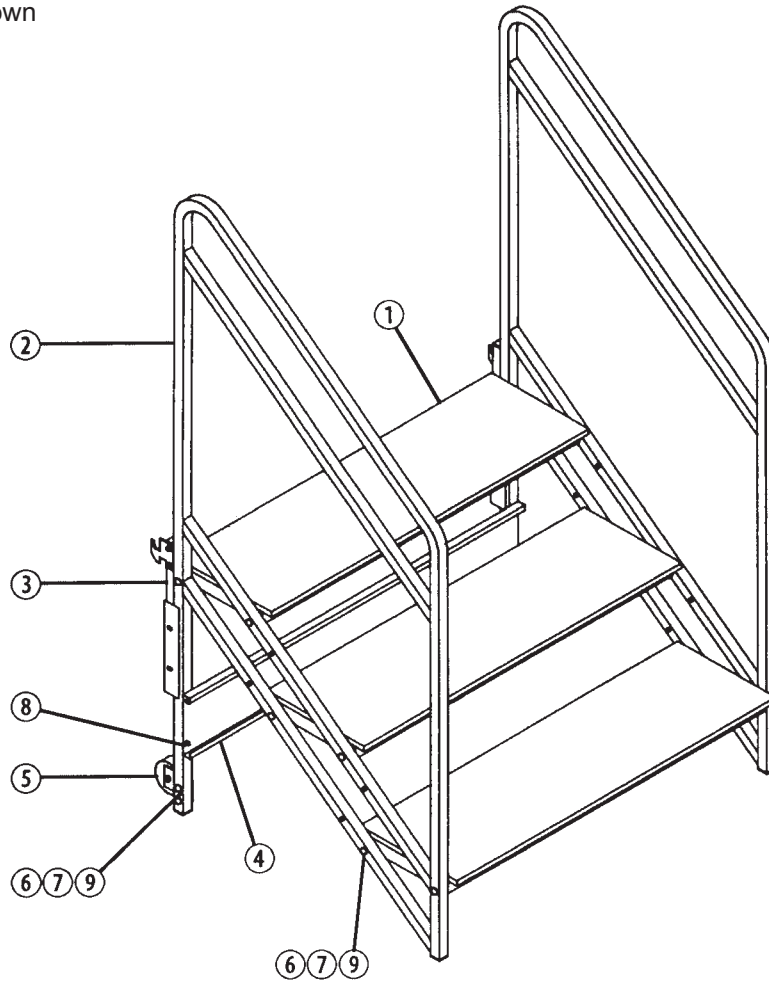


Item	Qty	Description	Item	Qty	Description
1	1	Cart Weldment	16	2	Spring, torsion
2	2	Arm, swing	17	1	Sleeve, foam
3	4	Spacer, short	18	2	Capscrew, 1/4 - 20 x 1-3/4"
4	2	Capscrew, 1/2 - 13 x 3"	19	2	Capscrew, 5/16 - 18 x 3-3/4"
5	2	Nut, lock, 1/2 - 13	20	2	U-channel, extruded rubber
6	1	Crosstube Weldment	21	2	Pad, rubber, saddle
7	4	Capscrew, 1/4 - 20 x 3/4"	23	6	Plug, plastic, 1" x 1-1/2"
8	6	Nut, lock, 1/4 - 20	24	2	Bushing, nylon
9	2	Caster, swivel, 4" dia.	25	2	Capscrew, 5/16 - 18 x 3-1/2"
10	2	Spring, gas, locking	26	4	Nut, lock, 5/16 - 18
11	2	Clevis, gas spring	27	2	Bracket, channel
12	2	Plate, pivot, gas spring	28	2	Capscrew, 1/4 - 20 x 3"
13	4	Nut, hex, M10 x 1	29	16	Screw, Phillips pan-head, #10 x 3/4"
14	2	Cam, pedal bar	30	2	Caster, braked, 4" dia.
15	1	Tube, pedal			

REPLACEMENT PARTS LIST (CONTINUED)

2- AND 3-STEP STAIRWAYS

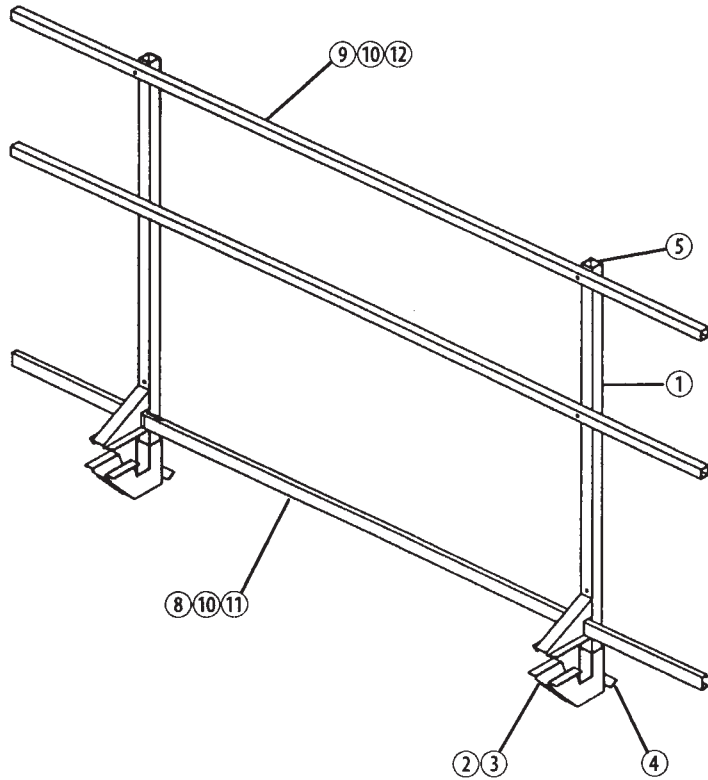
3-Step Model Shown



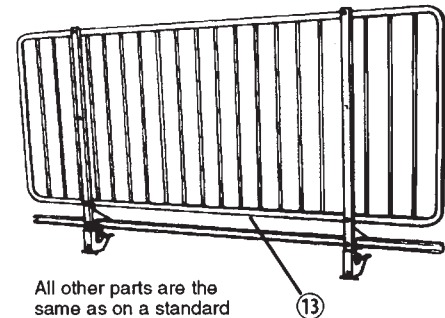
Item	Qty 2-Step	Qty 3-Step	Description
1	2	3	Step assembly
2	2	2	Frame assembly, hand-rail
3	2	2	Tube, hook (with notched plate)
4	1	1	Brace, cross
5	2	2	Wheel assembly
6	12	16	Nut, hex, 5/16 - 18
7	12	16	Bolt, carriage, 5/16 - 18 x 1-1/2"
8	4	4	Screw, self-tapping, 1/4" x 3/4"
9	12	16	Washer, lock, 5/16"

REPLACEMENT PARTS LIST (CONTINUED)

GUARD RAILS



In-Fill Panel Railing



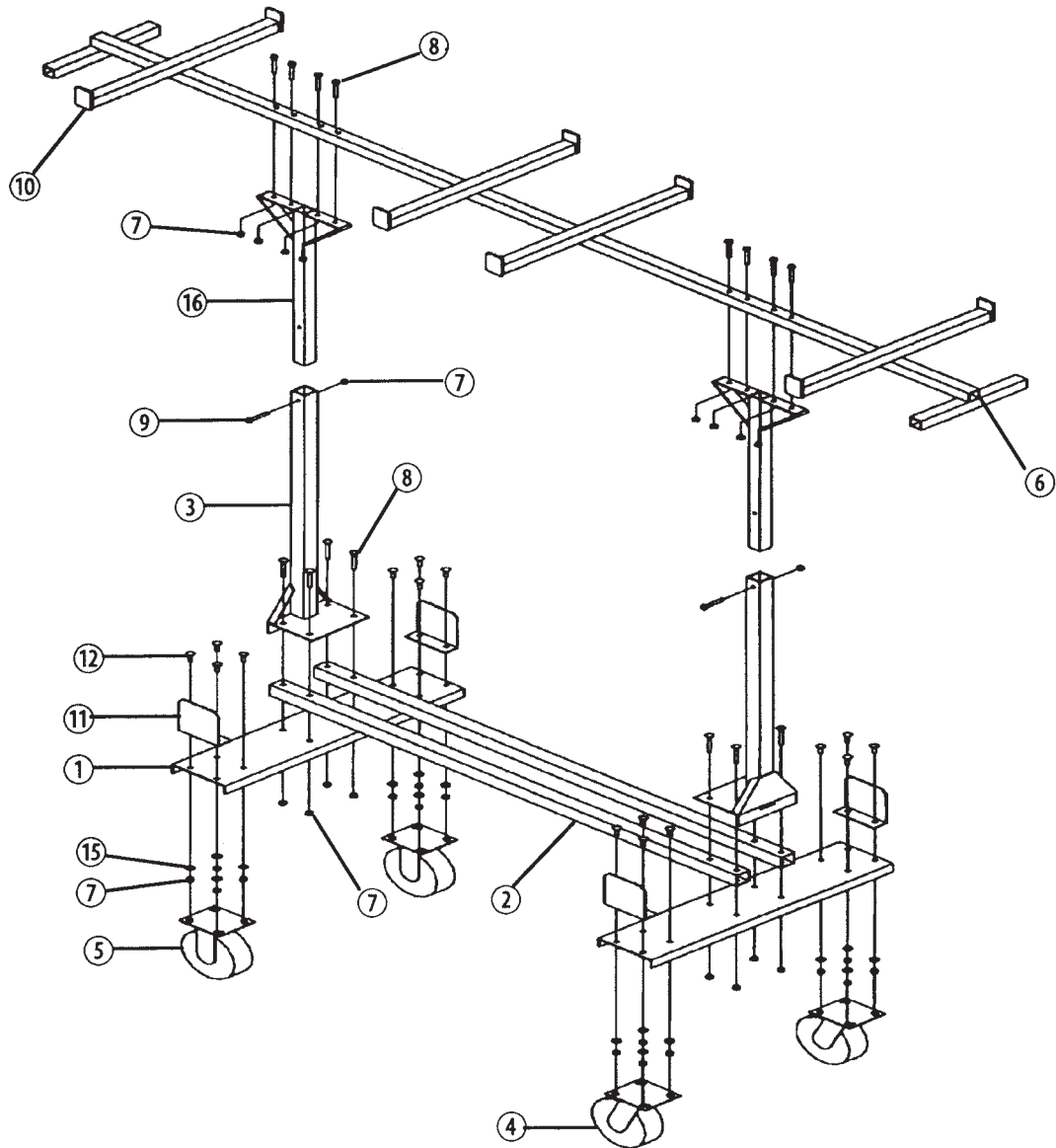
All other parts are the same as on a standard rail assembly.

Item	Qty	Description	Item	Qty	Description
1	2	Upright Weldment	9	4	Bolt, carriage, 5/16 - 18 x 3-1/4"
2	2	Lower Bracket Weldment	10	6	Nut, lock, 5/16 - 18
3	2	Bolt, tab, 3/8-16	11	1	Rail, chair [*]
4	2	Handle, tee	12	2	Rail, guard [*]
5	2	Plug, 1-1/2" square	13	1	Railing, In-Fill Panel
8	2	Capscrew, 5/16 - 18 x 3-1/2"	14	4	Plug, 1-1/8" square

[*] Indicates rail length on order.

REPLACEMENT PARTS LIST (CONTINUED)

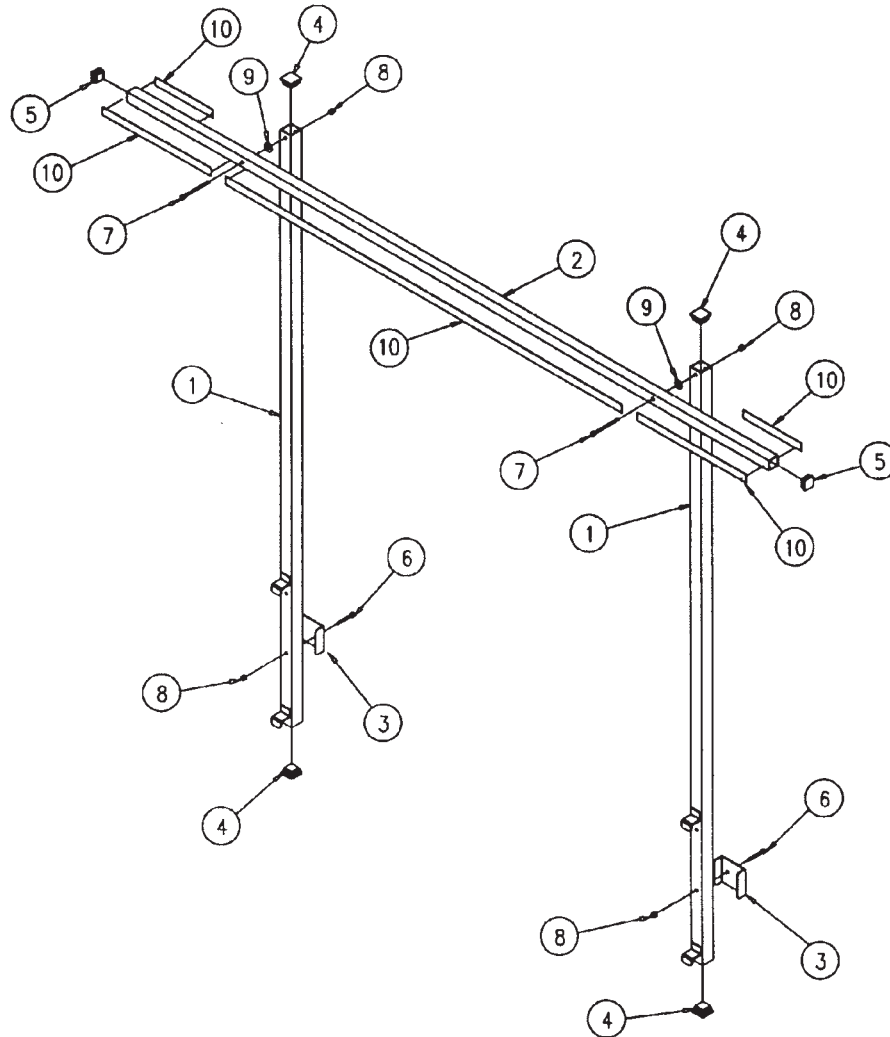
GUARD RAIL STORAGE TRUCK



Item	Qty	Description	Item	Qty	Description
1	2	Channel, caster	8	12	Bolt, carriage, round-head, 5/16 - 18 x 2"
2	2	Brace, center (specify 6- or 8-unit)	9	2	Capscrew, 5/16 - 18 x 2"
3	2	Upright weldment	10	1	Rack assembly
4	2	Caster, swivel, 6"	11	4	Bracket, stabilizer
5	2	Caster, rigid, 6"	12	16	Bolt, carriage, 5/16 - 18 x 1"
6	6	Plug, 1-1/4" square	15	16	Washer, flat, 1/4"
7	30	Nut, lock, 5/16 - 18	16	2	Tube weldment, upright support

REPLACEMENT PARTS LIST (CONTINUED)

DRAPERY BACKDROP SUPPORT



Item	Qty	Description
1	2	Upright Weldment
2	1	Tube, support
3	2	Bracket
4	4	Plug, 1-1/2" square
5	2	Plug, 1-1/4" square
6	2	Capscrew, 5/16 - 18 x 2"
7	2	Capscrew, 5/16 - 18 x 3-1/2"
8	4	Nut, lock, 5/16 - 18
9	2	Washer, flat, nylon, 5/16" I.D.
10	-	Hook-and-loop strip, 101" long

