

Inflatable Orchestra Shell

CONTENTS

Safety Precautions	2
Setup	2
Inflatable Shell Stability	3
Fire Hazards	3
Warranty	3
Important User Information	4
Technical Support	4
Intended Use	4
Setting Up for the First Time	4
Orchestra Shell Setup	5
Before Setup	5
Setup	5
Orchestra Shell Operation	10
Orchestra Shell Storage	10
Deflating the Orchestra Shell	10
Cleaning	11
Replacement Parts List	12
Ordering Replacement Parts	12
Replacement Parts List	12

- Note:** Please read and understand the Inflatable Orchestra Shell Owner's Manual before attempting setup.
- Note:** Remove all items from the shipping containers and sort the components by size, length, etc. Refer to the illustrations on the following pages. If you need additional information about your Inflatable Orchestra Shell, write, email or telephone Wenger Corporation at the number below.
- Note:** The Inflatable Orchestra Shell always requires two or more people for setup.
- Note:** Do not setup or operate the Inflatable Orchestra Shell without reading and understanding all of the warnings and cautions in this manual.

SAFETY PRECAUTIONS

Throughout this manual you will find **CAUTIONS** and **WARNINGS** which are defined as follows.

- **WARNING** means that failure to follow the instruction may result in serious injury or death.
- **CAUTION** means that failure to follow the instruction may result in serious injury or damage to the Orchestra Shell.

Note: Read all of these safety instructions before using the Inflatable Orchestra Shell.

Note: Failure to comply with warnings and cautions in this section can result in damage to property, serious injury, or death.

SET UP

Warning! *The set up of the Orchestra Shell must comply with the instructions contained in the Owner's Manual. For additional copies of the Owner's Manual, contact Wenger Corporation Customer Service at 1-800-887-7145.*

Warning! *The Inflated Orchestra Shell must always be used in a way that complies with the definition of intended use described in this manual on page 4.*

Warning! *Make sure that anyone setting up or working with the Inflatable Orchestra Shell reads and understands this manual. Failure to observe this precaution can result in death, injury, or damage to property.*

Warning! *When using stakes driven into the ground, make sure that there is no possibility of striking electrical cables or gas pipes. Always contact local utility companies for information regarding the location of underground gas pipes and electrical cables. Failure to observe this precaution can result in death, injury, or damage to property.*

Warning! *Always avoid touching overhead electrical cables when inflating the Inflatable Orchestra Shell. Failure to observe this precaution can result in death, injury, or damage to property.*

Warning! *Always connect the Blower to a power source with Ground Fault Circuit Interrupter (GFCI) protection. Failure to observe this precaution can result in electrical shock and death.*

Warning! *If an electrical generator is used as a power source for the Blower, make sure that the generator is grounded. Connect a wire from the generator to a metal stake driven into the ground, a water pipe or other grounded object. Failure to observe this precaution can result in electrical shock and death.*

Warning! *When outside, never operate or connect the Blower to an electrical source in wet and rainy conditions. Failure to observe this precaution can result in electrical shock and death.*

Warning! *Never allow anyone to climb on the exterior of the inflated Orchestra Shell! The inflated Orchestra Shell is not to be used as an amusement ride and cannot safely support people. Failure to observe this warning can result in death, serious injury, or damage to property.*

Caution! *Many steps require that two or more persons work together in the setup. Failure to observe this precaution can result in serious injury or damage to property.*

Caution! *Never allow spectators or untrained people to walk through the tethers and stakes. Failure to observe this precaution can result to serious injury or damage to property.*

SAFETY PRECAUTIONS CONTINUED

INFLATABLE SHELL STABILITY

- Warning!** *Never attempt to set up the Orchestra Shell when winds are 30 mph (15 m/s) or greater. Failure to observe this precaution can result in death, injury, or damage to property.*
- Warning!** *Deflate the Orchestra Shell whenever winds are expected to exceed 30 mph (15 m/s). Failure to observe this precaution can result in death, injury, or damage to property.*
- Warning!** *When the Orchestra Shell is inflated outside, never attach the tethers to sandbags. Failure to observe this precaution can result in death, injury, or damage to property.*
- Caution!** *If the Orchestra Shell is inflated on a stage surface, make sure that the entire Shell bottom surface is supported. Failure to observe this precaution can result in injury, or damage to property.*
- Caution!** *The anchoring of the Orchestra Shell must follow the methods described in this manual. Failure to observe this precaution can result in injury or damage to property.*
- Caution!** *When inflating the Orchestra Shell outside, always use the 40-inch Stakes supplied with the Inflatable Orchestra Shell. Always drive each Stake into the ground at least 30-inches (no more than 10-inches above the ground surface). Never anchor the Orchestra Shell outside with sandbags. Failure to observe this precaution can result in injury or damage to property.*

FIRE HAZARDS

- Warning!** *The Orchestra Shell is constructed from vinyl coated nylon fabric. Do not allow open flames or very hot lighting to come into close proximity to the Caution!Shell. Lighting that is close to the Orchestra Shell must not exceed 176°F (80°C). Failure to observe this precaution can result in death, injury, or damage to property.*

WARRANTY

The Inflatable Orchestra Shell is guaranteed free of defects in materials and workmanship for one year.

Our guarantee assures you of either a full refund or repair or replacement of the defective materials or workmanship without charge, at the discretion of our Customer Service Department. Just call a Customer Service Representative at 1-800-887-7145 and state the reason you are dissatisfied. If a product return is necessary, your representative will issue a return authorization. This is your sole remedy for breach of this warranty.

Should you have a question or problem with any Wenger product, don't hesitate to call, even if the product is past warranty. It's important to us that all our customers be satisfied.

This is the sole warranty made by Wenger. Wenger disclaims all other warranties, including the warranties of merchantability and fitness for a particular purpose, as well as all liability for incidental, consequential, special, and indirect damage. Wenger liability for direct damages shall be limited to the amount you paid for the product involved. Wenger reserves the right to make product changes without obligation to incorporate such changes into products previously sold.

Some states do not allow the exclusion or limitation of damages or warranties, so the above may not apply to you. This warranty gives you specific legal rights. You may also have other rights which vary from state to state.

IMPORTANT USER INFORMATION

TECHNICAL SUPPORT

If you have questions or need technical support, contact the manufacturer by writing, email or telephone at the following:

Wenger Corporation
555 Park Drive • PO Box 448
Owatonna, MN 55060
1-507-455-4100 • 1-800-733-0393
www.wengercorp.com

INTENDED USE

Warning! *The Inflatable Orchestra Shell must always be used in a way that complies with the definition of intended use described below. Failure to observe this warning can result in death, serious injury, or damage to property.*

The Inflatable Orchestra Shell is intended to be used as follows:

- The Inflatable Orchestra Shell is not intended to be inflated as a permanent installation.
- The Inflatable Orchestra Shell is not intended to support people. **People climbing on the exterior of the Inflatable Orchestra Shell create a dangerous situation that can result in death or serious injury!**
- The Inflatable Orchestra Shell can be used in an outside area during dry and calm conditions.
- The Inflatable Orchestra Shell can be inflated on the ground or on a stable platform that completely supports the Orchestra Shell bottom surface and is anchored to stakes provided with the Shell (as described in this manual).
- The Inflatable Orchestra Shell can be inflated in an enclosure such as a tent or auditorium on a stable platform with the bottom surface fully supported.
- The Inflatable Orchestra Shell must be inflated with the original Blower supplied with the Shell (or a blower with the same specifications).

SETTING UP FOR THE FIRST TIME

1. Remove all parts from their shipping container (refer to the packing list enclosed with the shipment). Save all packaging materials until the Inflatable Orchestra Shell has been set up and assembled for the first time.
2. The following items are shipped with each Orchestra Shell.

Item	Quantity
Shell	1
Blower	1
Stakes	16
Storage Bag	1
Vinyl Repair Kit	1

3. If the Inflatable Orchestra Shell is to be stored before the initial set up, go to the *ORCHESTRA SHELL STORAGE* section.
4. If the Inflatable Shell is to be set up immediately, go to *ORCHESTRA SHELL Setup* section.

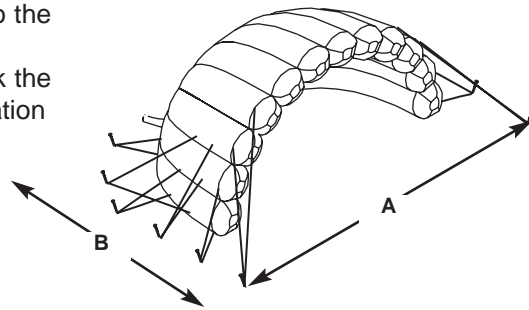
NOTE: Read and understand this entire manual before starting the setup.

ORCHESTRA SHELL SETUP

BEFORE SETUP

Note: If the Inflatable Orchestra Shell will be inflated inside a tent or building, it is not necessary to anchor the Orchestra Shell tethers.

1. Make sure that ***all personnel (including temporary labor)*** setting up or operating the Orchestra Shell read and understand the warnings, cautions, and setup procedure for the Inflatable Orchestra Shell.
2. If the Inflatable Orchestra Shell will be inflated outside and on the ground or on an outside stage or platform, do the following.
 - a. Decide where the Shell will be inflated and mark the perimeter. Refer to the dimensions in the illustration below.



Orchestra Shell	A	B
091A501, Small	36-feet (11 m)	30-feet (9.1 m)
091A502, Medium	58-feet (17.7 m)	42-feet (12.8 m)
091A503, Large	72-feet (22 m)	54-feet (11 m)

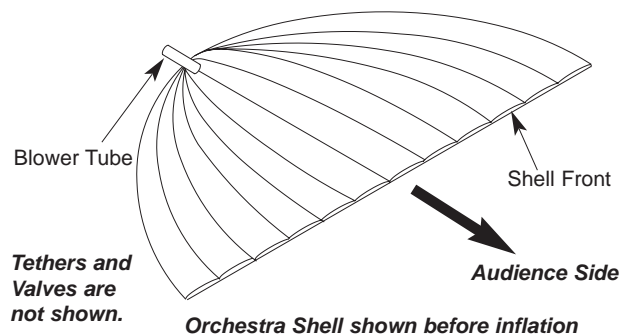
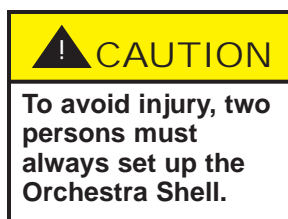
- b. Consult with local utility companies and make sure that no below ground level electrical cables, telephone cables, water pipes or gas pipes are within the Shell perimeter.
- c. Make sure that no overhead power lines or other obstructions are close to the Shell perimeter.
- d. If the Shell will be inflated on the ground, Wenger recommends obtaining a tarpaulin to protect the bottom surface of the Shell and to insure a firm dry working surface inside the Shell.
- e. Locate a fused, 20 ampere, 120 VAC, grounded power source with a disconnect and Ground Fault Circuit Interruption (GFCI) protection for the Blower power connection.

SETUP

The following paragraphs describe setting up the Inflatable Orchestra Shell on the ground.

Warning! *Do not attempt to inflate the Orchestra Shell if winds are 30 miles per hour or greater, during rainy conditions, or if rainy or stormy conditions are expected. Failure to observe this warning can result in serious injury, electrical shock, or death!*

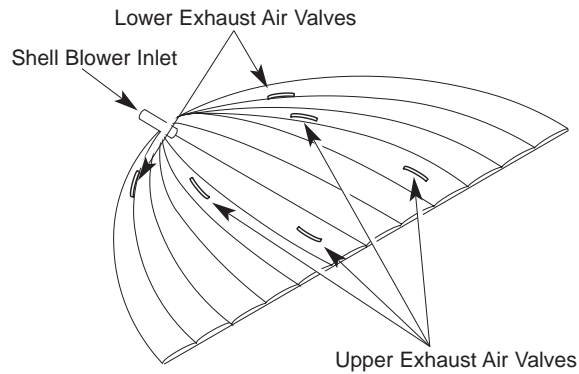
1. If a tarpaulin is to be used under the Shell, lay the tarpaulin on the ground where the Shell will be inflated.
2. Place the Orchestra Shell where it will be inflated.
 - a. With two or more people working together, remove the Shell from the Storage Bag and spread the Shell on the surface where the Shell will be inflated.
 - b. Make sure that the surface with the Tethers and Exhaust Valves are facing upward.
 - c. Make sure that the Blower Tube is facing away from the audience.



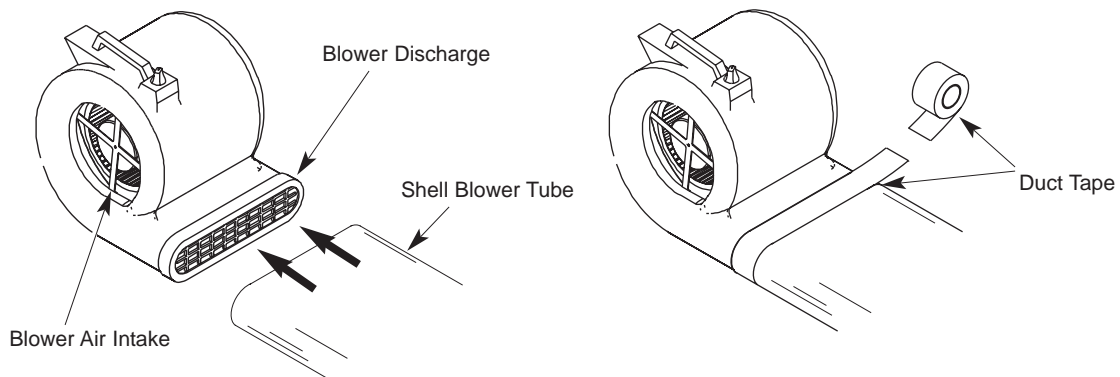
ORCHESTRA SHELL SETUP CONTINUED

SETUP CONTINUED

3. Make sure that the four Upper Exhaust Air Valves and two Lower Exhaust Air Valves are closed.
 - a. Open each Seal Flap (with a Velcro® closure).
 - b. Close the zipper.
 - c. Close and seal each Seal Flap.



4. Connect the Orchestra Shell Blower Tube to the Blower Discharge. Slide the Tube over the Air Blower Discharge and fasten it in place with Duct Tape.



ORCHESTRA SHELL SETUP CONTINUED

SETUP CONTINUED

5. Connect the Blower power cord to a 120VAC, 20 ampere, fused, grounded power source with Ground Fault Circuit Interruption (GFCI) protection and a disconnect. Consult local authorities for specific regulations.

Note: **Do not turn the Blower on.**

Warning! *Never operate or connect the Blower to an electrical source in wet and rainy conditions. Failure to observe this precaution can result in electrical shock and death.*

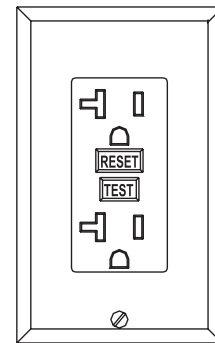
Warning! *Make sure that the power cord is protected from damage. Failure to comply with this precaution could result in electrical shock and death.*

Warning! *Always make sure that the Blower circuit has Ground Fault Circuit Interrupter (GFCI) protection. Failure to observe this precaution can result in electrical shock and death.*

- a. If the power source does not have a GFCI Receptacle, use a 120 VAC, 20 ampere, 12 gauge, three-wire GFCI Extension Cord similar to the illustration below.

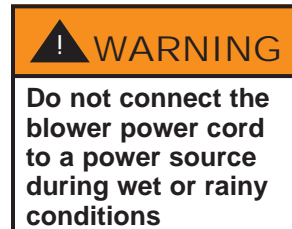
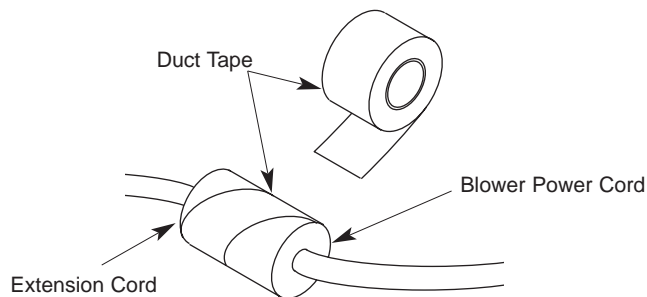


GFCI One-foot Extension Cord



GFCI Receptacle

- b. If an extension cord must be used, it must comply with the NEC Code Type 12/3 SJOW (12 gauge, three-wire, 300 Volt, Thermoset Rubber, Oil Resistant Jacket).
- c. When the Power Cord is plugged into an Extension Cord, wrap the connection with Duct Tape to prevent it from being mistakenly disconnected.
- d. Use Duct Tape to fasten the Plug to the Power Source to prevent it from being mistakenly disconnected.



Warning! *Protect the electrical connection from the Blower to the Power Source from damage. Do not permit any people to walk on or trip over the connection. Failure to observe this precaution can result in electrical shock and death.*

Warning! *If an electrical generator is used as a power source for the Blower, make sure that the generator is grounded. Connect a wire from the generator to a metal stake driven into the ground, a water pipe or other grounded object. Failure to observe this precaution can result in electrical shock and death.*

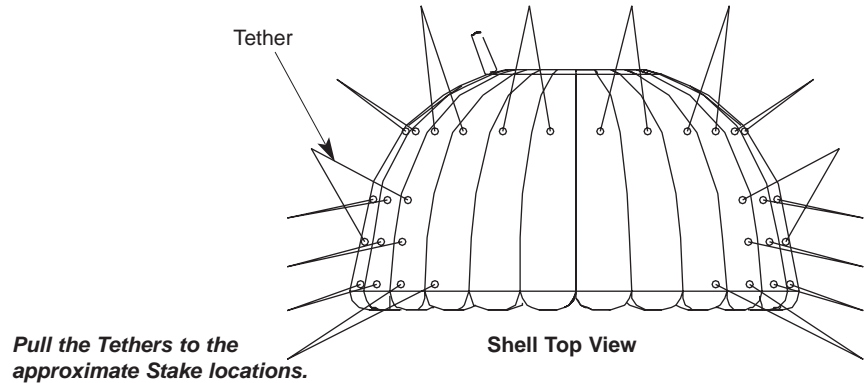
ORCHESTRA SHELL SETUP CONTINUED

SETUP CONTINUED

6. Pull the Tether ends from the Orchestra Shell outward to the approximate location for the Stakes.

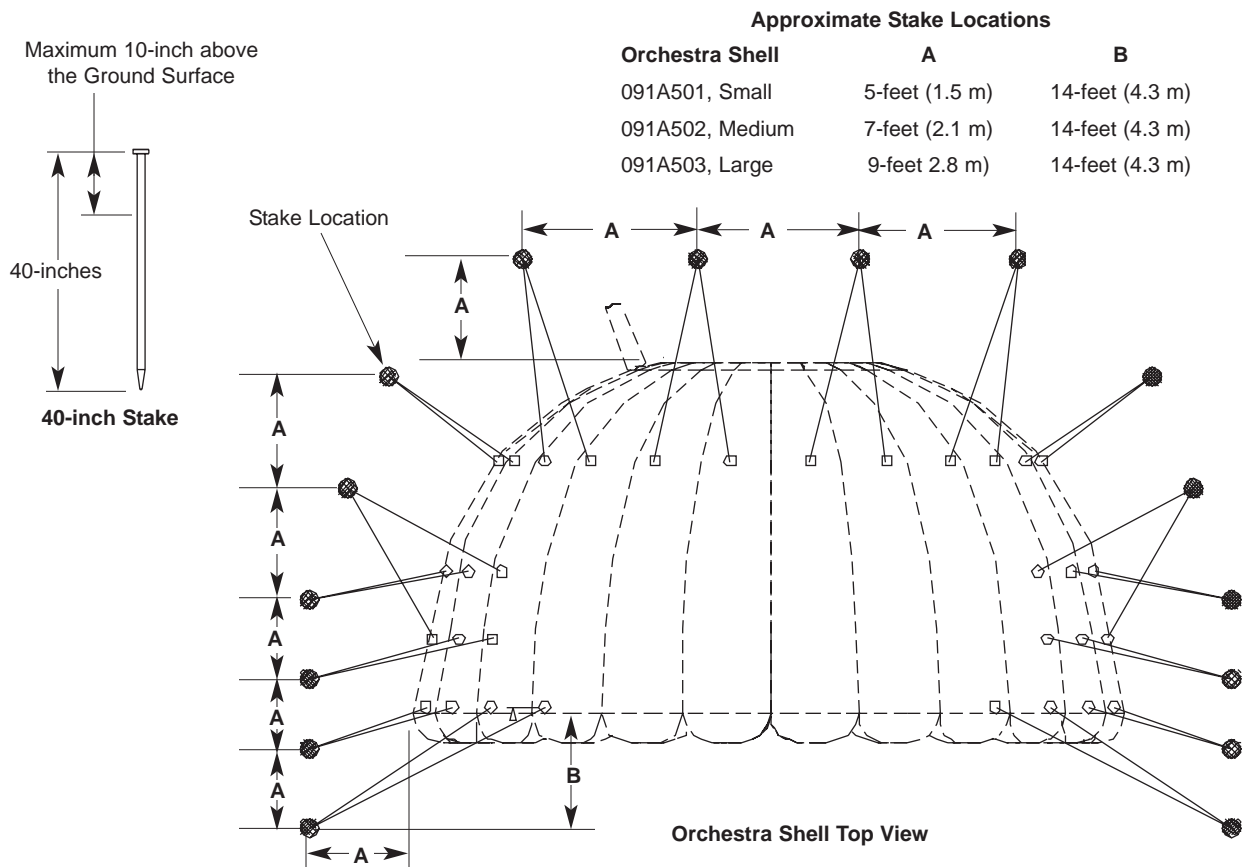
CAUTION
Two people are required for some setup steps.

CAUTION
Never attempt to set up the inflatable shell when winds exceed 30 mph.



7. Using a mall, drive each Stake into the ground as follows.
- Locate each of the 16 Stakes at the approximate location shown in the illustration below.
 - The upper Tethers should be at a 50° vertical angle when the Orchestra Shell is inflated.
 - Drive each 40-inch stake into the ground until no more than 10-inches are exposed.

Caution! Use only the Stakes supplied with the Orchestra Shell. **Do not use sandbags!** Failure to observe this caution can result in serious injury or damage to property.



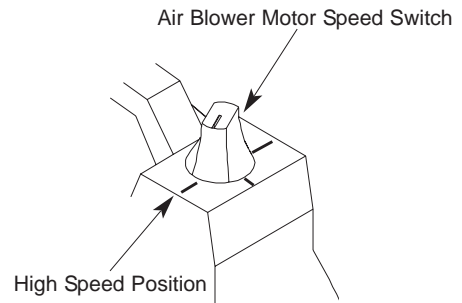
ORCHESTRA SHELL SETUP CONTINUED

SETUP CONTINUED

8. To inflate the Orchestra Shell, do as follows.

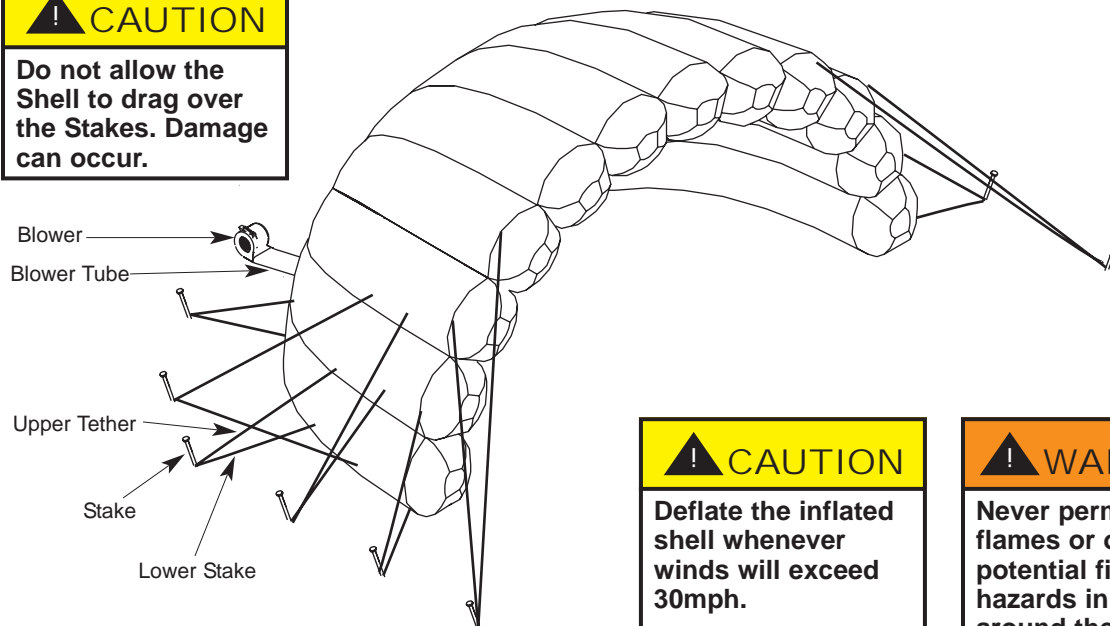
Warning! Do not attempt to inflate the Orchestra Shell if winds are 30 miles per hour or greater, during rainy conditions, or if rainy or stormy conditions are expected. Failure to observe this warning can result in serious injury, electrical shock, or death!

- Tie each Upper Tether to a Stake with enough slack to allow the Orchestra Shell to be inflated.
- Turn on the Blower by placing the switch into the High Speed Position.



- As the Orchestra Shell inflates, guide the Shell by adjusting the tension on the Upper Tethers. Make sure that the Tethers do not restrict inflation.
 - During inflation, watch for folds in the individual air tubes that block air flow and prevent total inflation of the Shell.
 - Make sure that the Blower Tube is not kinked or twisted
 - When the Orchestra Shell is fully inflated, tie each Bottom Tether to a Stake.
 - Adjust the tension on all Tethers so that the Orchestra Shell is not deformed.
9. When the Orchestra Shell is fully inflated (about 15 minutes after turning on the Blower), the Upper Tethers should be at about a 50° angle with the vertical. Adjust the position of Stakes if necessary.

Caution! Never allow spectators or untrained people to walk through the tethers and stakes. Failure to observe this precaution can result in serious injury or damage to property.



ORCHESTRA SHELL OPERATION

1. After the Orchestra Shell is inflated, adjust all of the Tethers so that they all have equal tension and do not deform the shape of the Orchestra Shell.
2. Turn the Air Blower Motor Speed Control to a slower speed.
3. While the Orchestra Shell is deployed, always observe current weather conditions. Deflate the Orchestra Shell if inclement weather (high winds greater than 30 miles per hour or heavy rain) begins or is expected.
4. Never leave the Inflated Orchestra Shell unattended.

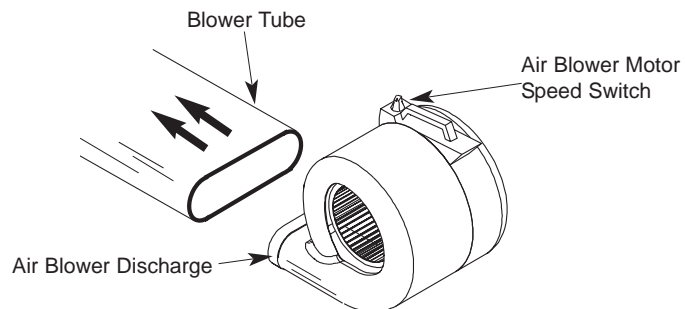
Warning! *The Inflatable Orchestra Shell is constructed from vinyl coated nylon fabric. Do not allow open flames or very hot lighting to come into close proximity to the Shell. Lighting that is close to the Shell must not exceed 176°F (80°C). Failure to observe this precaution can result in death, injury, or damage to property.*

ORCHESTRA SHELL STORAGE

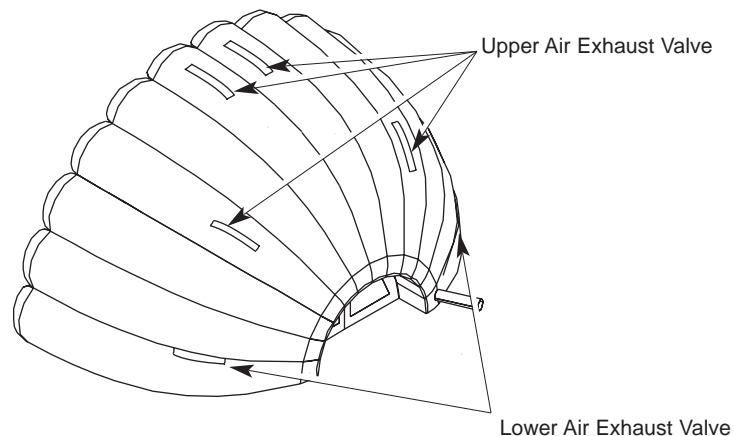
DEFLATING THE ORCHESTRA SHELL

To deflate the Orchestra Shell and store it, do as follows.

1. Turn the Air Blower Motor off.
2. Disconnect the Air Blower Motor Power Cord from the power source.
3. Remove the Duct Tape that fastens the Blower Tube to the Blower Discharge and remove the Blower Tube.



4. Open the two Lower Air Exhaust Valves by pulling the Velcro® closures open and then opening the Valve Zippers.

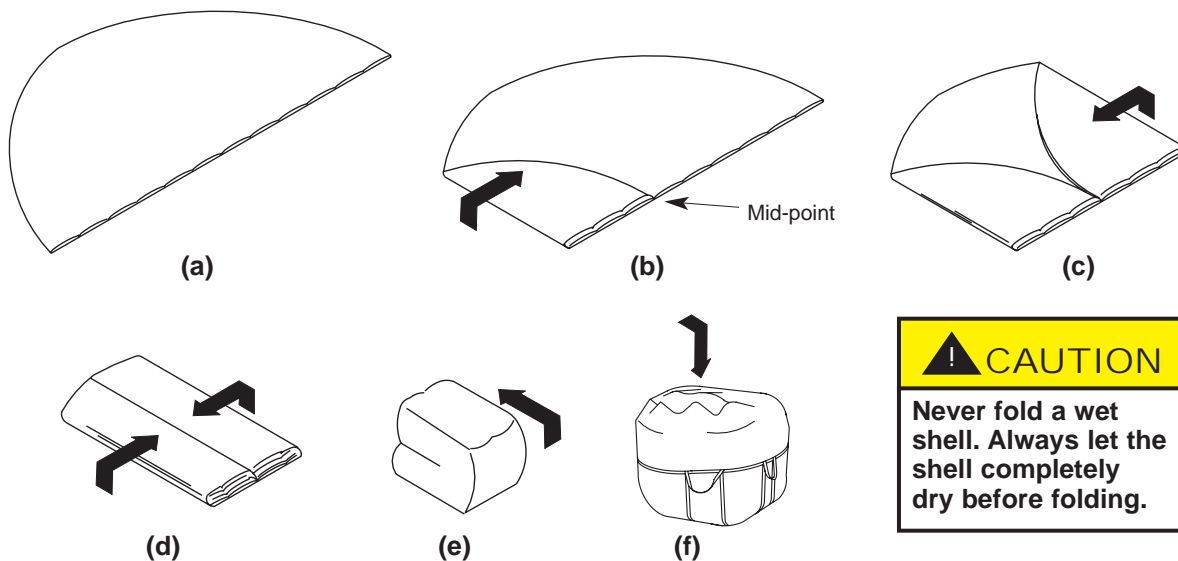


ORCHESTRA SHELL STORAGE CONTINUED

DEFLATING THE ORCHESTRA SHELL CONTINUED

5. As soon as the Orchestra Shell has deflated enough to reach the Upper Air Exhaust Valves, open the four Valves as in step 4.
6. Push all of the air out of the Orchestra Shell.
7. Untie the Tethers from the Stakes.
8. Fold the deflated Orchestra Shell as follows.
 - a. Smooth the deflated shell flat as much as possible.
 - b. Grasp the front left (or right) corner and drag it to the center edge of the flat Shell (as shown in (b) below).
 - c. Grasp the opposite corner and drag it to the center edge so that it touches the first fold as shown in (c) below.
 - d. Fold the left (or right) side again to the center as shown in (d) below. Continue folding the sides inward until the width of the folded Shell is narrower than the Storage Bag (e).
 - e. Fold the front edge of the Shell toward the back edge as shown in (e) below. Continue folding until the Shell will fit into the Storage Bag.
 - f. Insert the folded Shell into the Storage Bag (f).

Caution! *Never fold a wet or damp Orchestra Shell. Always allow the Orchestra Shell to dry completely before folding and storing. Serious deterioration of the fabric will occur if the Shell is folded and stored when damp or wet.*



CLEANING

1. Clean the Orchestra Shell surface with a mild detergent such as *Simple Green*.
2. Never use harsh or abrasive detergents or cleaning products.
3. Never soak the Orchestra Shell which promotes mildew.

REPLACEMENT PARTS LIST

ORDERING REPLACEMENT PARTS

Replacement Parts for your Inflatable Orchestra Shell can be ordered from Wenger Corporation at:

Phone: (507) 455-4100 or 1-800-887-7145

Fax: (507) 455-44253

Mail: Wenger Corporation

555 Park Drive

P.O. Box 448

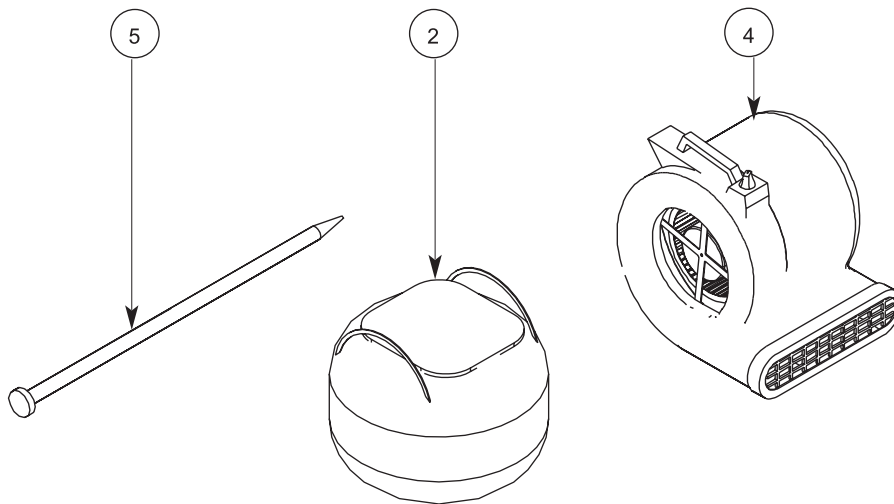
Owatonna, Minnesota, USA 55060-0448

Website: www.wengercorp.com

When ordering replacement parts, always indicate the product name and model.

Note: Specify whether the Inflatable Shell is model 091A501, 091A502, or 091A503 when ordering replacement parts.

REPLACEMENT PARTS LIST



Item	Qty	Description
1	1	Shell*
2	1	Storage Bag
3	1	Vinyl Repair Kit*
4	1	Air Blower
5	16	Stake

* Item not shown

TROUBLESHOOTING

Air Blower Does not turn on

Make sure that the Blower Motor is connected to a power source.

Check the power source (turned on).

Check the Motor Overloads.

Check the Motor for continuity.

Blower runs but Shell does not fill

Check the Inflation Tube for obstructions.

Check the Air Blower Discharge and Air Intake for obstructions.

Make sure that there are no tears in the shell. Repair by using the vinyl repair kit supplied with the Orchestra Shell or by sewing the tear together or covering with duct tape.

Make sure that the Shell Air Exhaust Valves are closed.

Shell inflates but is mis-shaped

Check the Tethers for excessive tension.